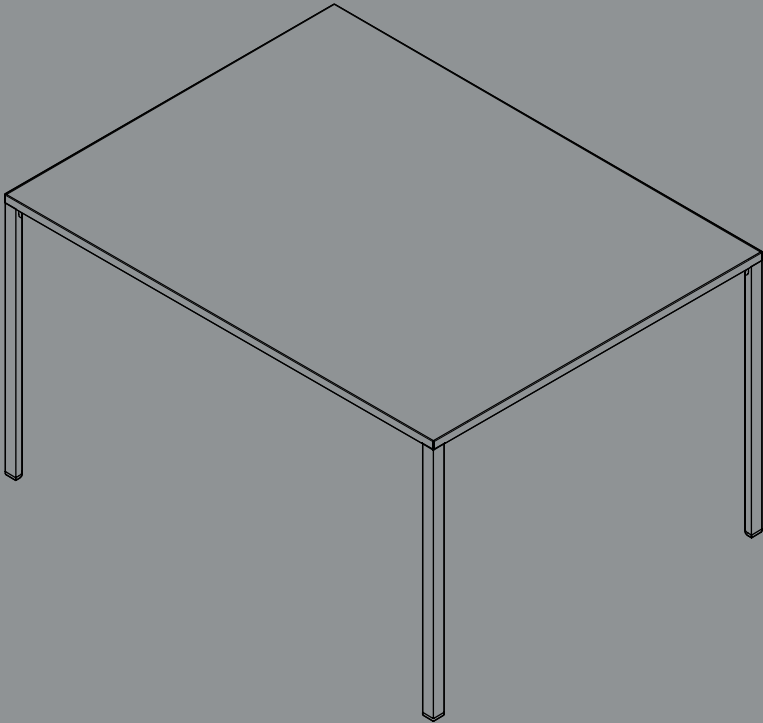


- INSTRUCTION MANUAL -

NEW ORDER

TABLE GROUP 4

5F, 5G, 6F, 6G, 7B, 7C, 7D, 7E, 8F, 8G, 12F, 12G



DESIGN BY STEFAN DIEZ

HAY

- TABLE OF CONTENTS -

TABLES

TABLE OVERVIEW	5
PARTS OVERVIEW	6-7
TABLE ASSEMBLY INSTRUCTIONS	8-21

CONNECTORS

TABLE WALL CONNECTOR INSTRUCTIONS	22-25
FRONT SHELF CONNECTOR INSTRUCTIONS	26-29
END SHELF CONNECTOR INSTRUCTIONS	30-33
END TRAY CONNECTOR INSTRUCTIONS	34-36

CABLE MANAGEMENT

CABLE TRAY INSTRUCTIONS	37-39
CABLE CLIP INSTRUCTIONS	40-41
CABLE GUIDE INSTRUCTIONS	42-43
PLUG SOCKET	44-47
WALL MOUNTING GUIDELINE	48
CARE AND MAINTENANCE	49

- TABLE OVERVIEW -

It is important to start by identifying your table model to ensure you follow the correct assembly instructions.

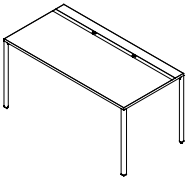


TABLE 5F
150x75

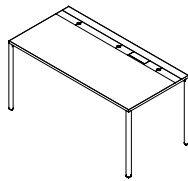


TABLE 5G
150x75

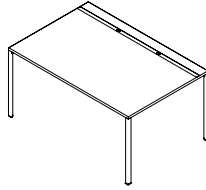


TABLE 6F
150x100

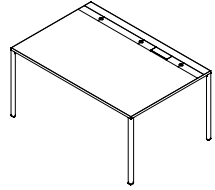


TABLE 6G
150x100

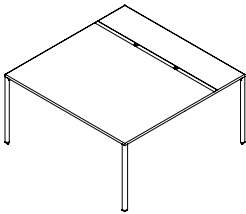


TABLE 7B
150x150

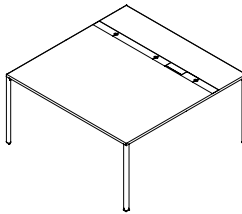


TABLE 7C
150x150

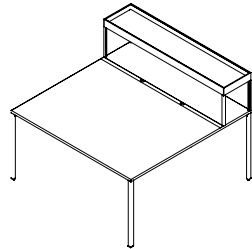


TABLE 7D
150x150

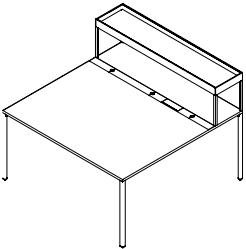


TABLE 7E
150x150

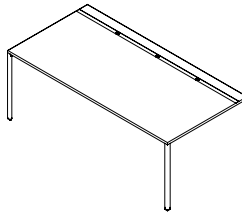


TABLE 8F
200x100

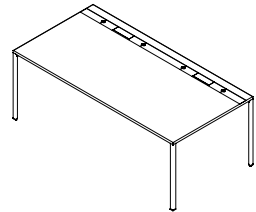


TABLE 8G
200x100

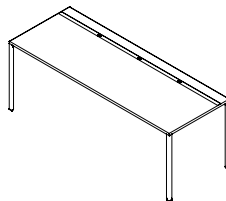


TABLE 12F
200x75

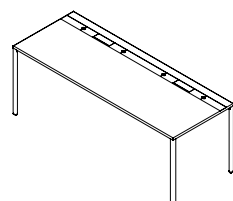



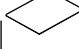




















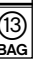


TABLE 12G
200x75

- PARTS -

TABLE	PART	A	B	C	D	E	F	G	H	L
		Corner knot	Frame profile	Leg*	Tabletop	Support bar	Extra support bar	Tray	Single profile	Cable covers
TABLE 5F		x4	x4	x4	x2	x1	x1	-	-	x1
TABLE 5G		x4	x4	x4	x2	x1	x1	-	-	-
TABLE 6F		x4	x4	x4	x2	x1	x1	-	-	x1
TABLE 6G		x4	x4	x4	x2	x1	x1	-	-	-
TABLE 7B		x4	x4	x4	x2	x1	x1	-	-	x1
TABLE 7C		x4	x4	x4	x2	x1	x1	-	-	-
TABLE 7D		x4	x4	x4	x2	x1	x1	x1	x4	x1
TABLE 7E		x4	x4	x4	x2	x1	x1	x1	x4	-
TABLE 8F		x4	x4	x4	x2	x1	x1	-	-	x1
TABLE 8G		x4	x4	x4	x2	x1	x1	-	-	-
TABLE 12F		x4	x4	x4	x2	x1	x1	-	-	x1
TABLE 12G		x4	x4	x4	x2	x1	x1	-	-	-

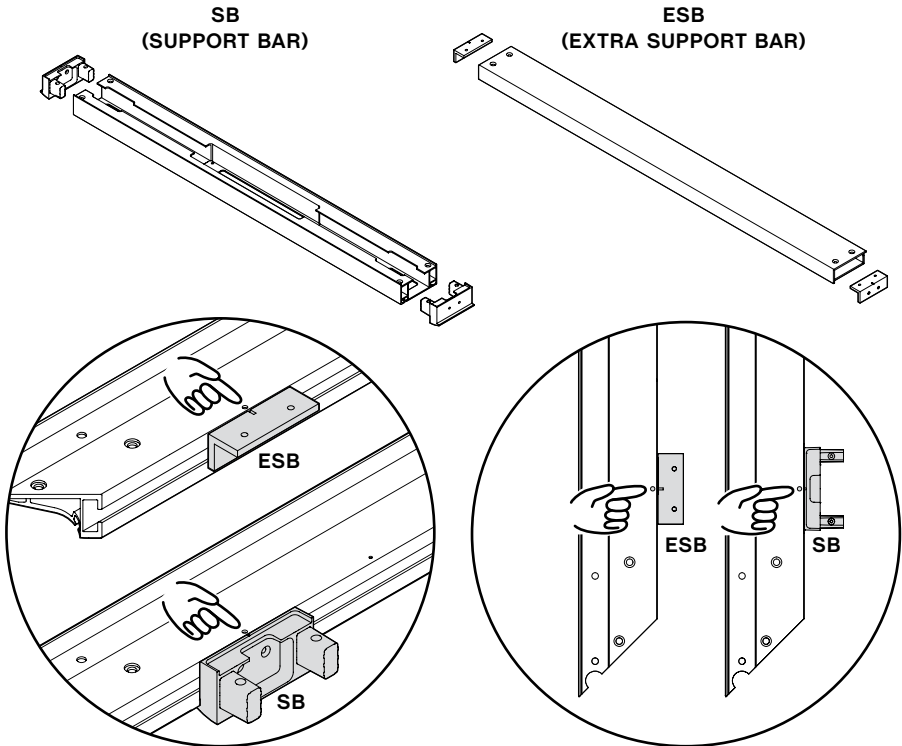
*Depending on your configuration your table may or may not have four legs/corner knots.

	 Cable covers	 Footrest**	 2 Extra support bar	 3 Supportbar	 4 Frame	 5 Tabletop	 6 Legs	 11 Tray divider	 13 High table**
			 2 BAG	 3 BAG	 4 BAG	 5 BAG	 6 BAG	 11 BAG	 13 BAG
-	x1	x1	x1	x2	x1	x2	x1	-	x1
x1	x1	x1	x1	x2	x1	x2	x1	-	x1
-	x1	x1	x1	x2	x1	x2	x1	-	x1
x1	x1	x1	x1	x2	x1	x2	x1	-	x1
-	-	x1	x2	x1	x2	x1	x1	-	-
x1	-	x1	x2	x1	x2	x1	x1	-	-
-	-	x1	x2	x1	x2	x1	x1	-	-
x1	-	x1	x2	x1	x2	x1	x1	-	-
-	x1	x1	x2	x1	x2	x1	-	-	x1
x1	x1	x1	x2	x1	x2	x1	-	-	x1
-	x1	x1	x2	x1	x2	x1	-	-	x1
x1	x1	x1	x2	x1	x2	x1	-	-	x1

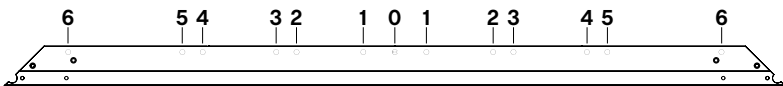
**Only for high tables with footrest

- INFORMATION ON SUPPORT BARS -

The tables in this manual use extra support bars (ESB) to reinforce their construction. You will find information below on how to mount them and find their correct position.



The small dotted markings on the table frame should align with the marks indicated on the support bar/extra support bar connector.



The markings on the table frame are not numbered, but counting outwards from the central mark (0) will guide you to the correct position for your support bar.

- SUPPORT BAR POSITIONS -

TABLE \ POSITION	1	0	1
TABLE 5F			
TABLE 5G			
TABLE 12F			
TABLE 12G			

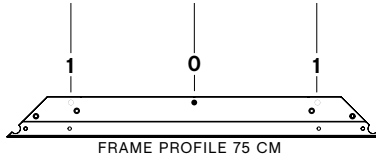


TABLE \ POSITION	4	3	2	1	0	1	2	3	4
TABLE 6F									
TABLE 6G									
TABLE 8F									
TABLE 8G									

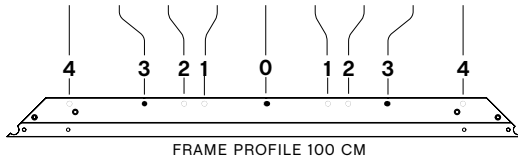
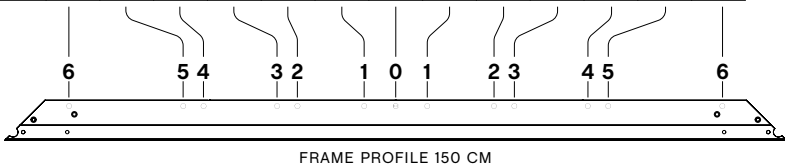
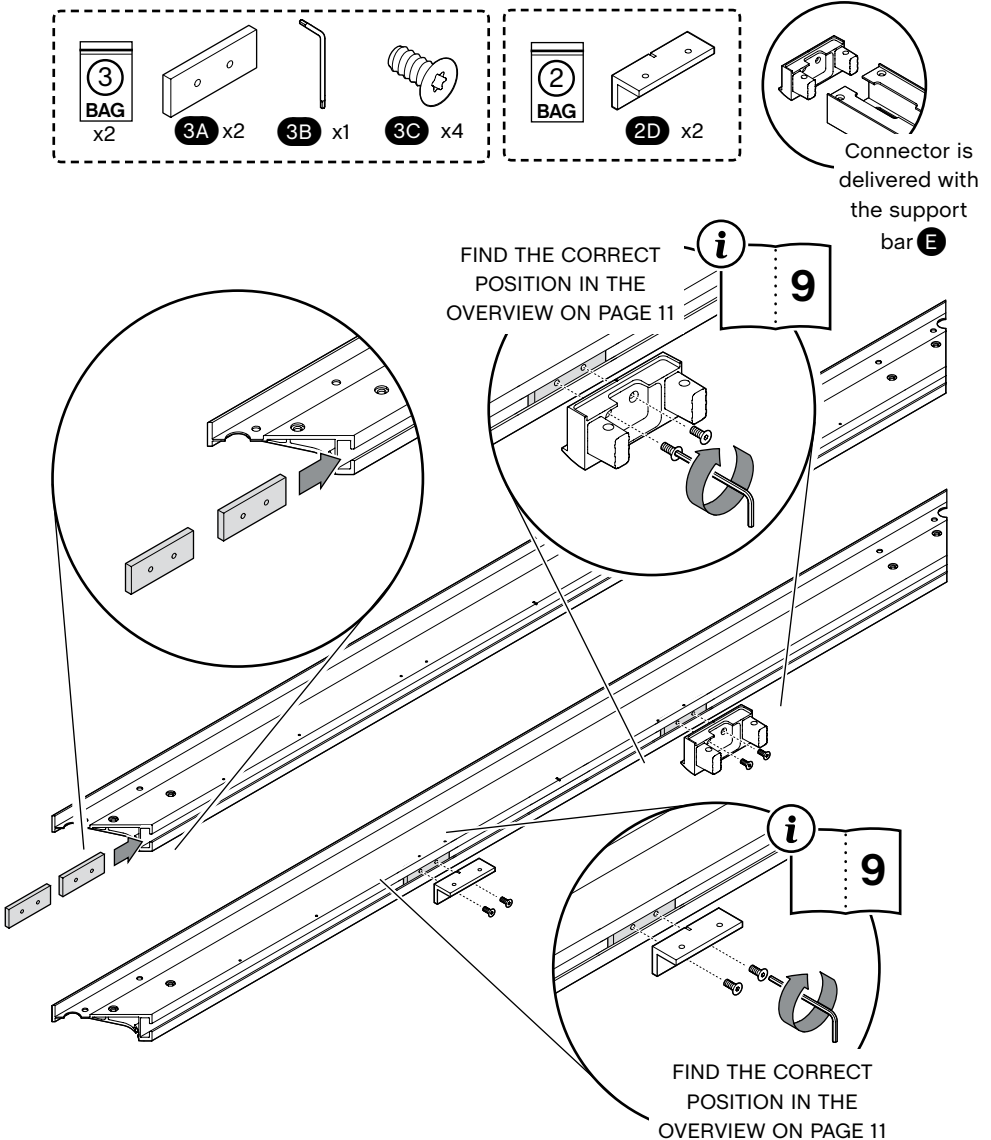


TABLE \ POSITION	6	5	4	3	2	1	0	1	2	3	4	5	6
TABLE 7B													
TABLE 7C													
TABLE 7D													
TABLE 7E													



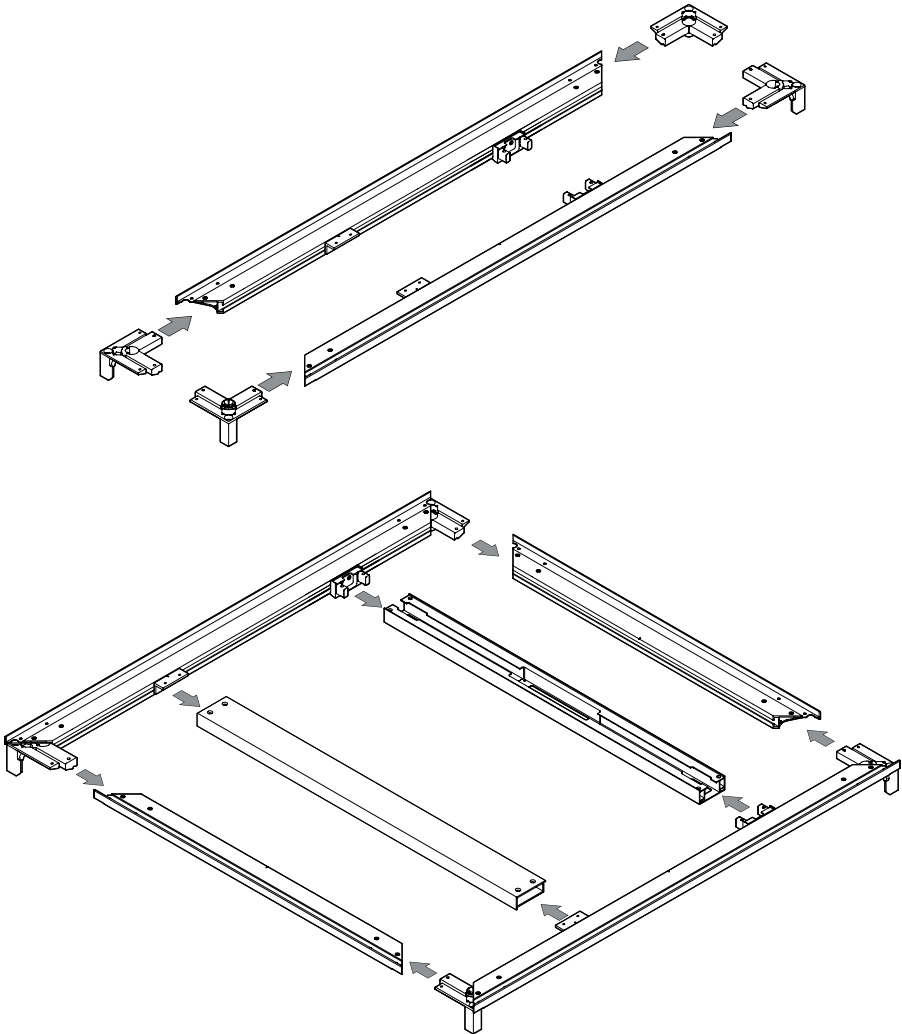
1.

Insert the brackets **3A** into the two shortest table frame profiles **B**. Then mount the extra support bar connectors **2D** and support bar connector delivered in support bar **E** on both frame profiles and fasten them with screws **3C** using tool **3B**.
Make sure to find the correct position on page 11, before tightening screws.



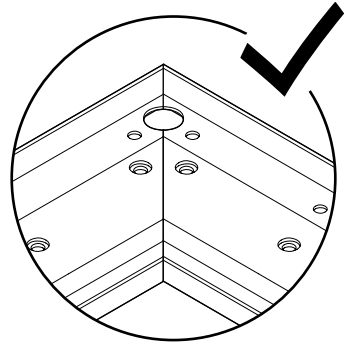
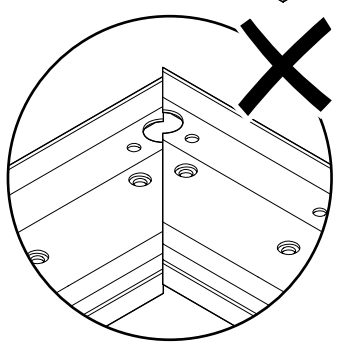
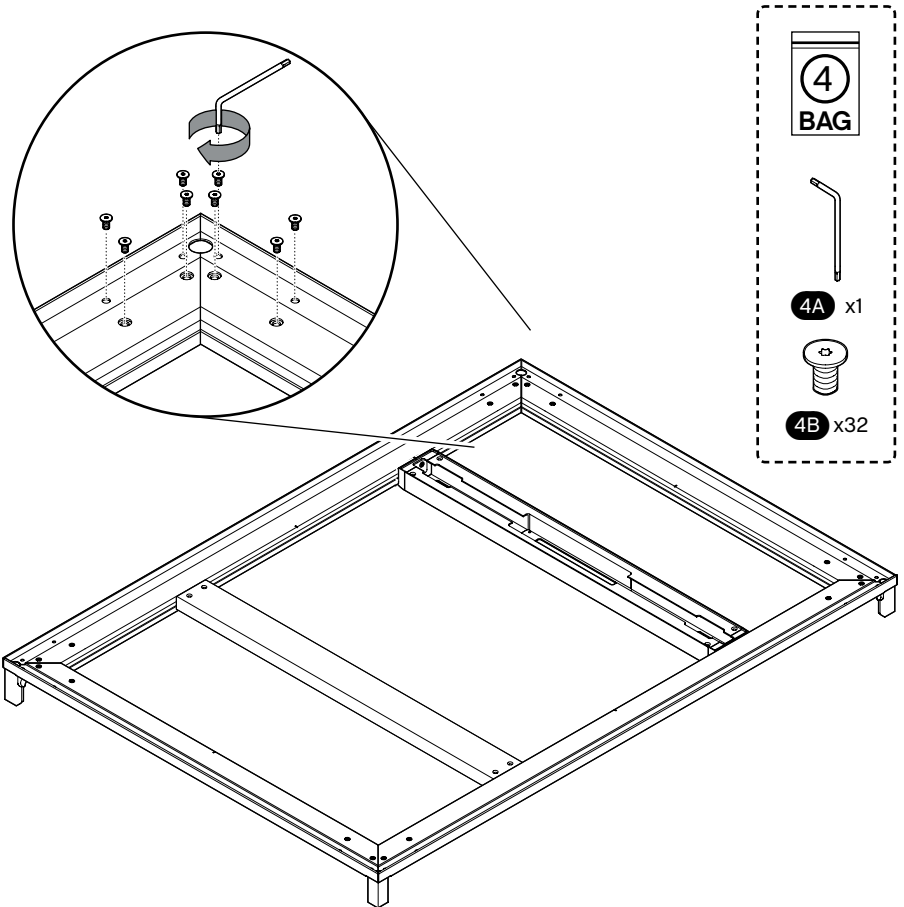
2.

Insert the corner knots **A** into the two table frame profiles from step 1.
Then connect them with the other two profiles **B** to close the frame.
Place the supportbars **E** and **F** in between.



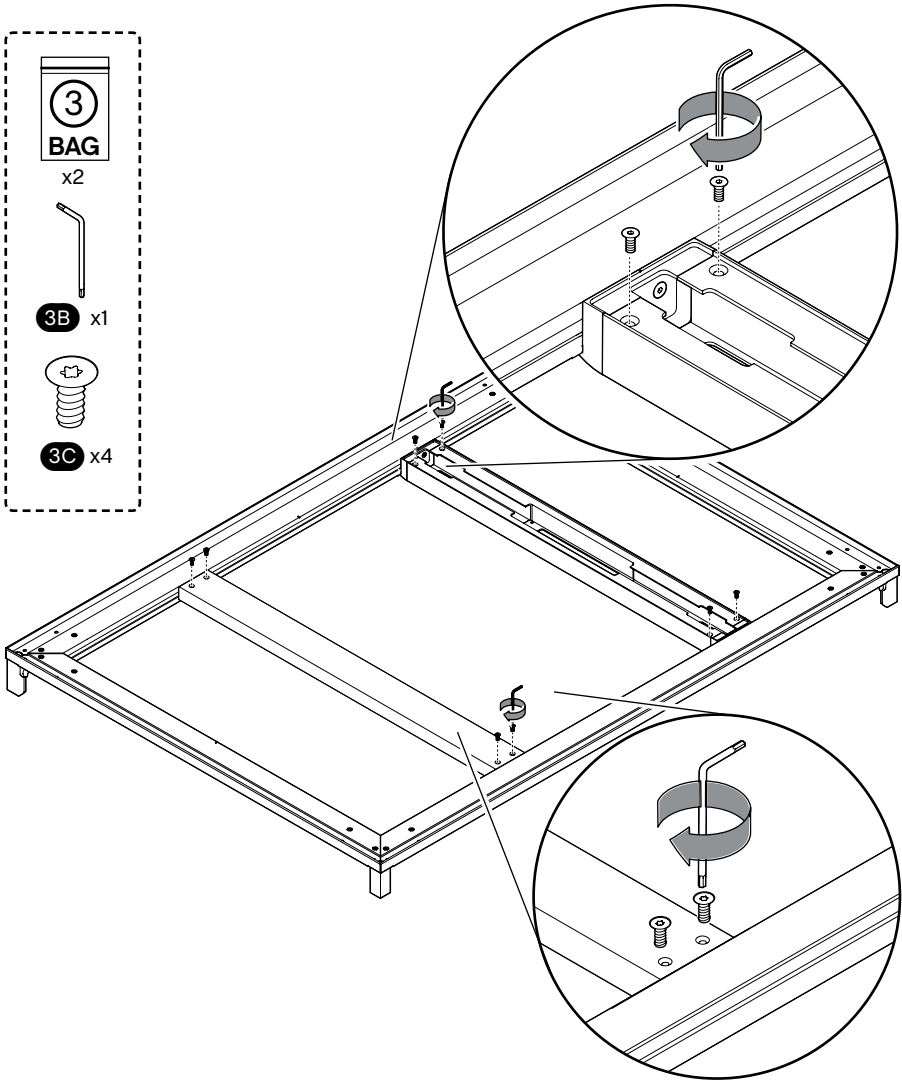
3.

Secure the frame with screws **4B** using tool **4A** in each corner.



4.

Fasten the support bar **E** and extra support bar **F** with screws **3A** using tool **3B**.

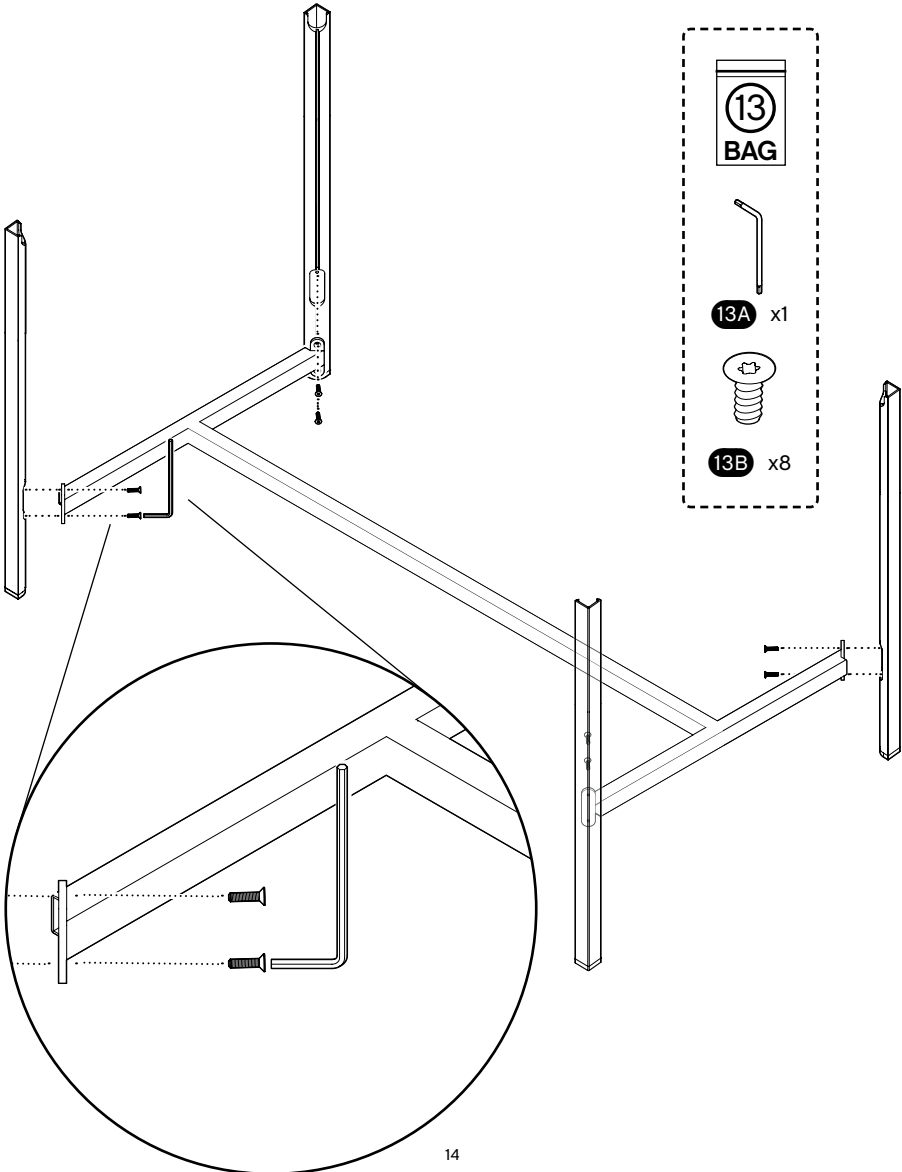


5.



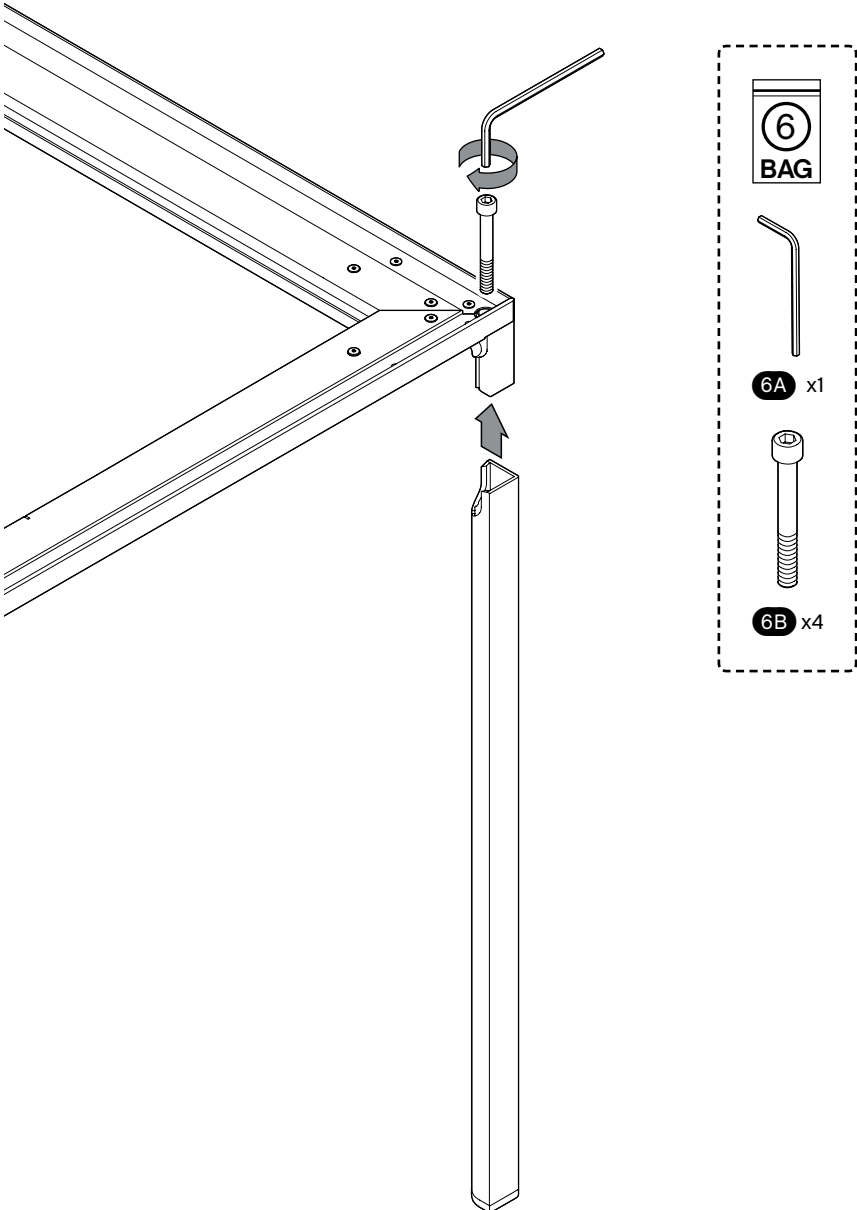
ONLY FOR HIGH TABLES 5F, 5G, 6F, 6G, 8F, 8G, 12F AND 12G
WITH FOOTREST

Mount the legs **C** to the footrest **O** with screws **13A** using tool **13B**
Start by loosely tightening all the screws before tightening them all completely.



6.

Connect the legs **C** by threading them onto the tap of the corner knot.
Secure with screws **6B** using tool **6A**.

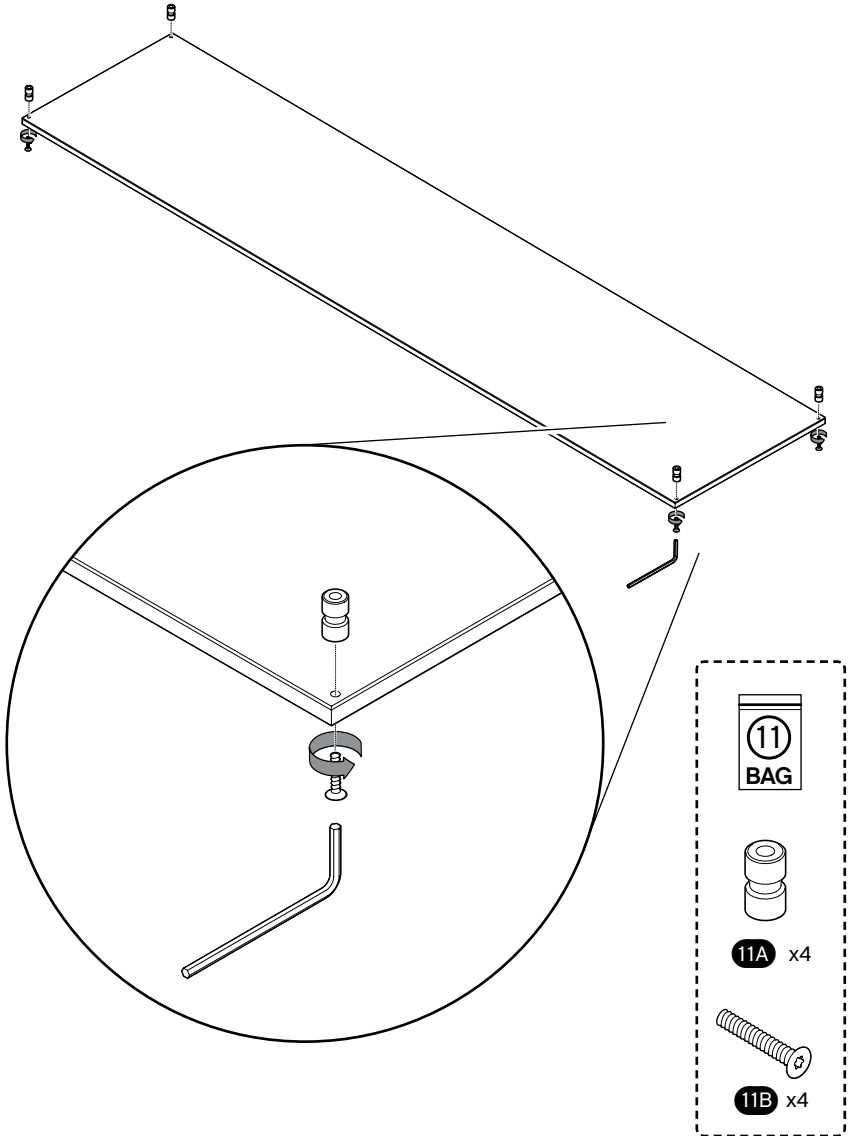


7.



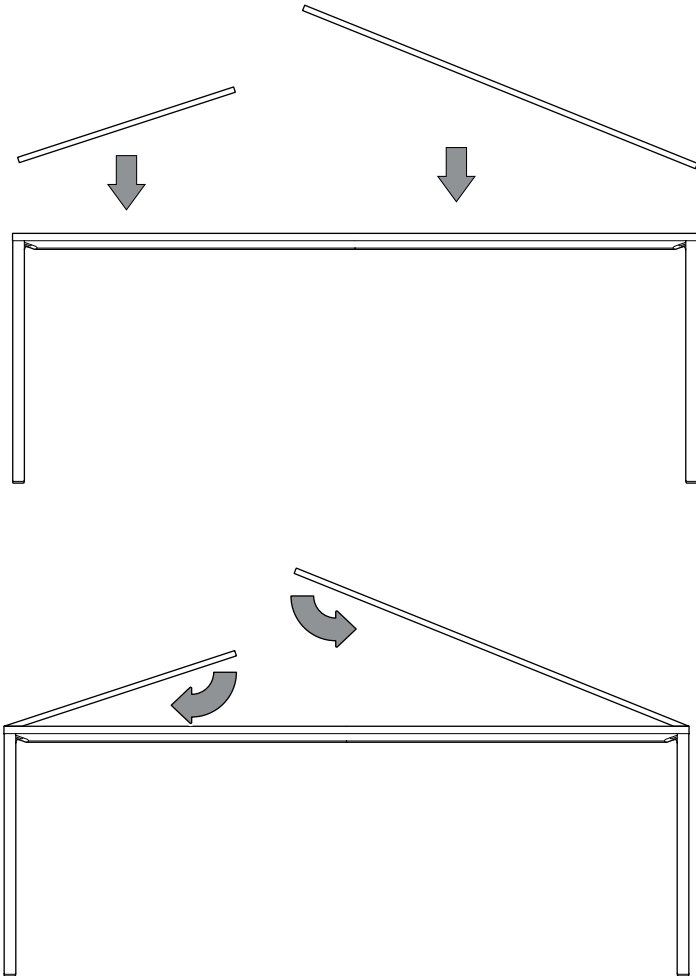
ONLY FOR TABLES 7D AND 7E

Mount the profile connectors **11A** with screws **11B** in the table top **D** with holes in the corners.



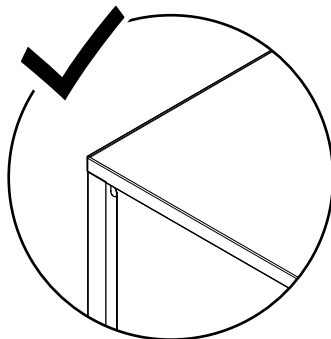
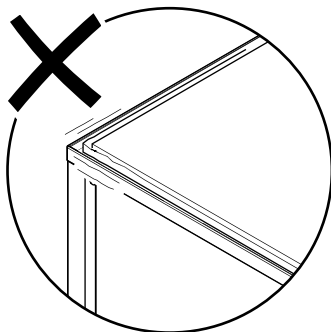
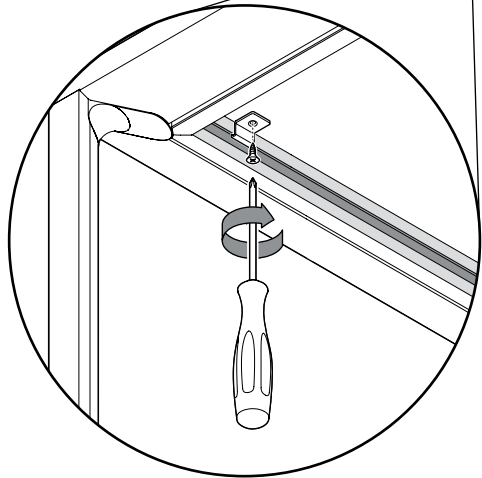
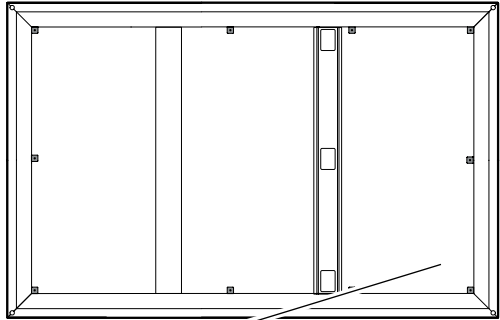
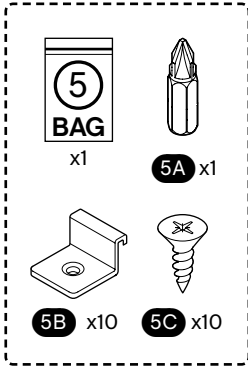
8.

Mount the tabletop **D** by inserting it into one of the short ends.
Then slowly lower the tabletop into place.



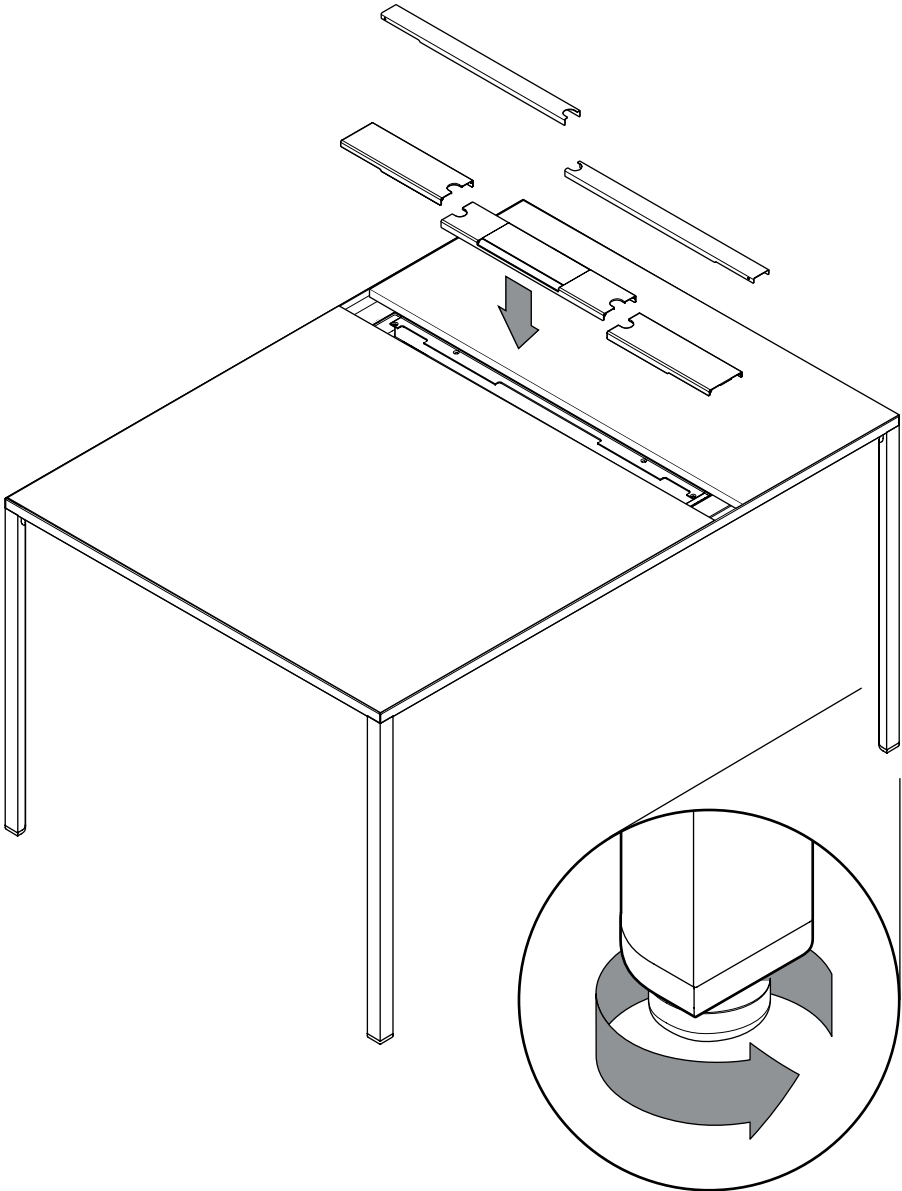
9.

Fasten the table top **D** with the clips **5B** from underneath. Distribute the clips evenly. Secure them with screws **5C** using tool **5A**.



10.

Place cable covers **L** or **M** depending on your table model.
If the floor is uneven and the table is unstable, adjust the height of the feet until the table is stable.

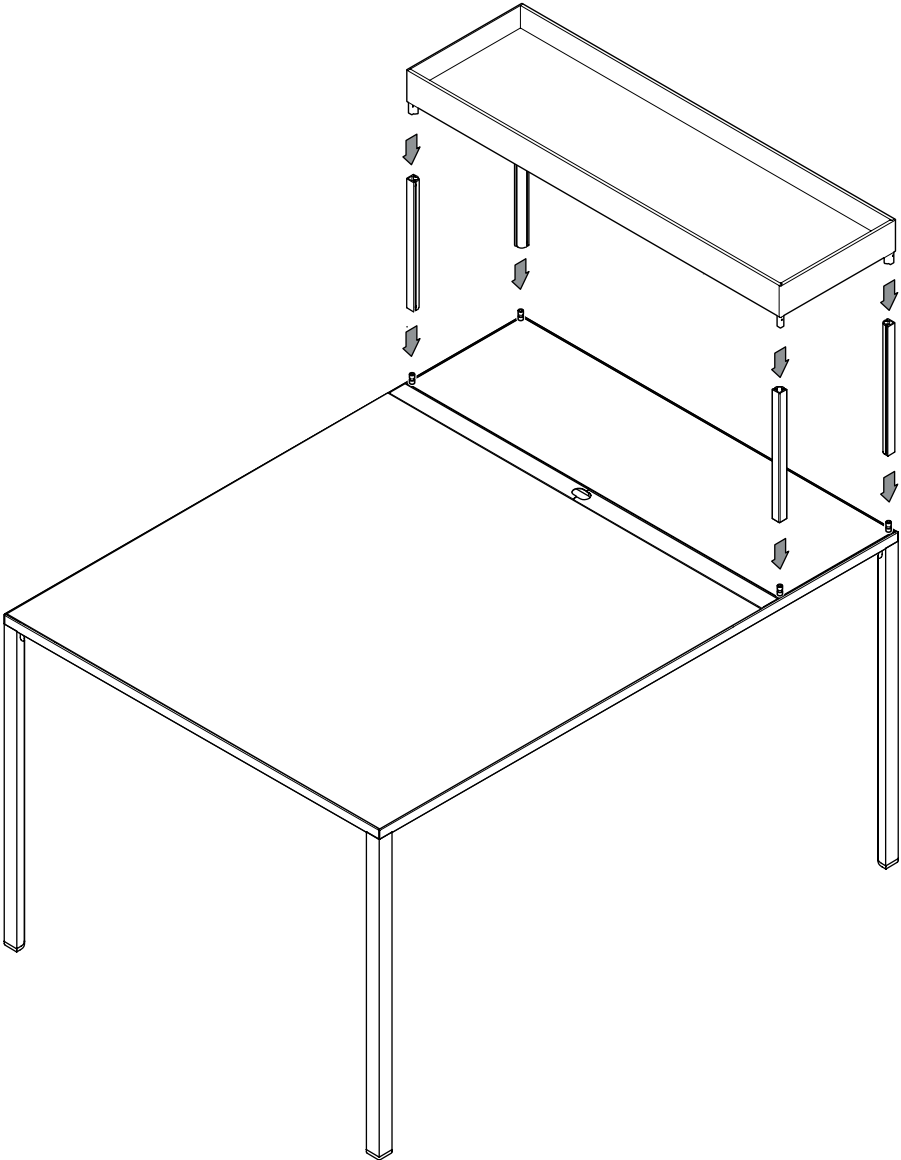


11.



ONLY FOR TABLES 7D AND 7E

Mount profiles **H** and tray **G**.

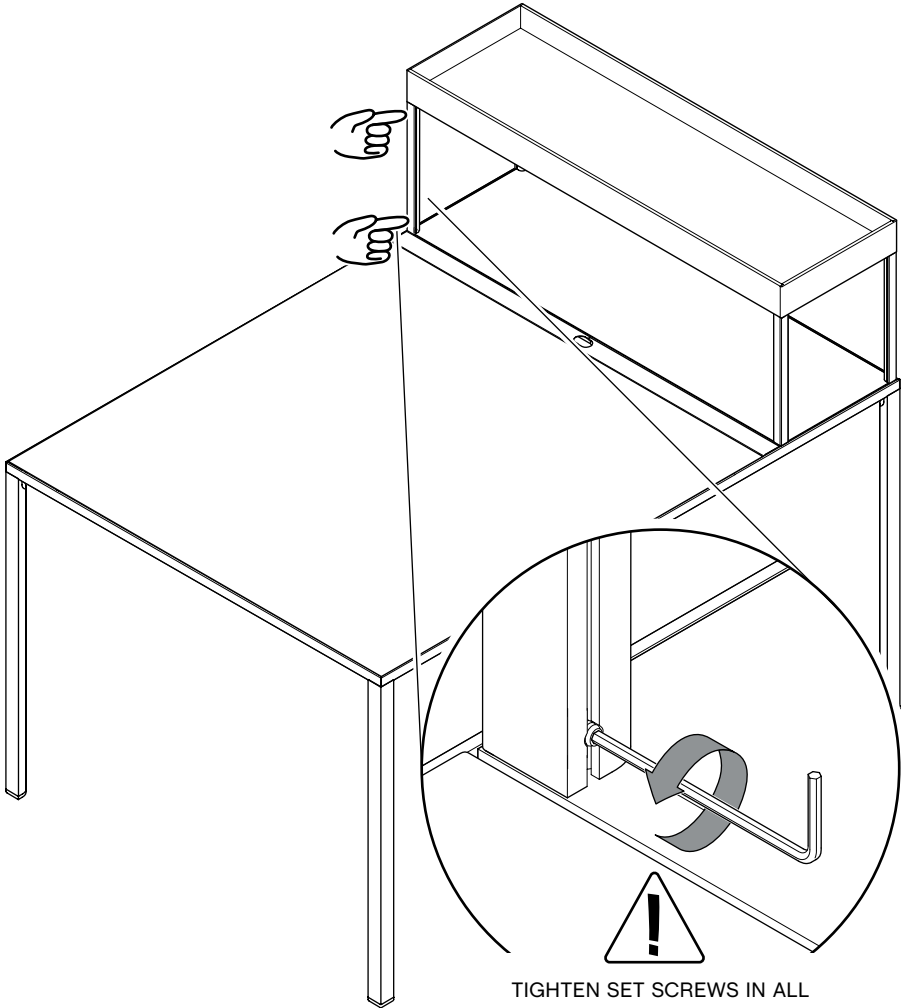


12.



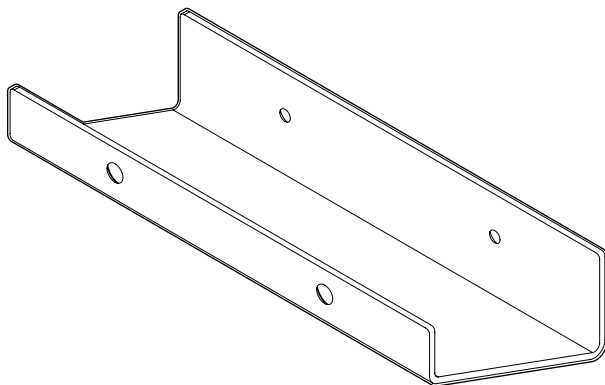
ONLY FOR TABLES 7D AND 7E

Secure profiles in both top and bottom by tightening the set screws.

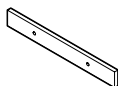


TIGHTEN SET SCREWS IN ALL
FOUR PROFILES, BOTH TOP AND
BOTTOM

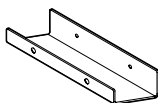
TABLE WALL CONNECTOR



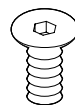
- PARTS -



A Connector x2



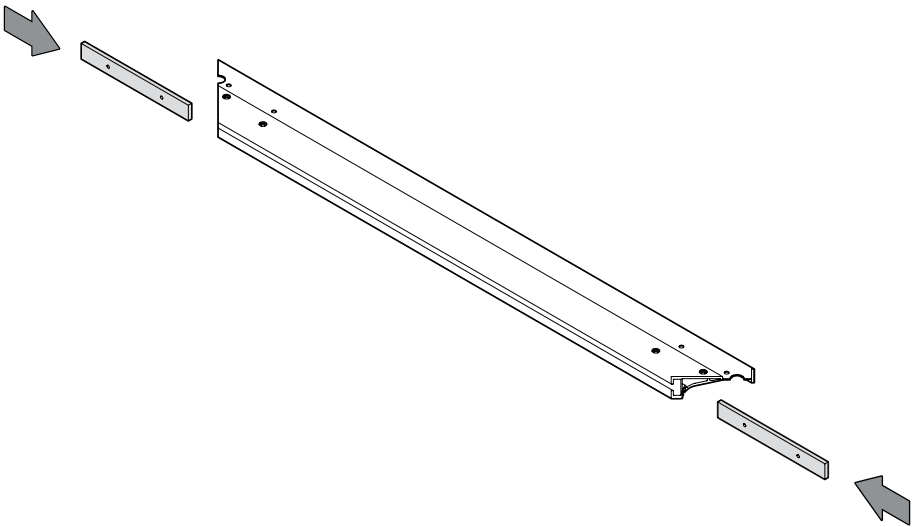
B Wall connector x2



C Screws x4

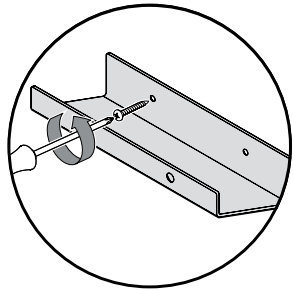
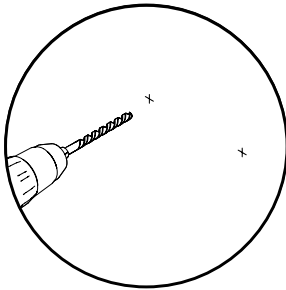
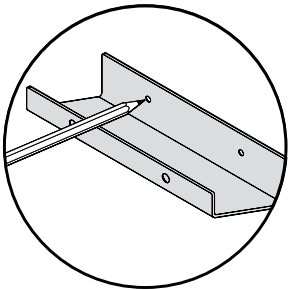
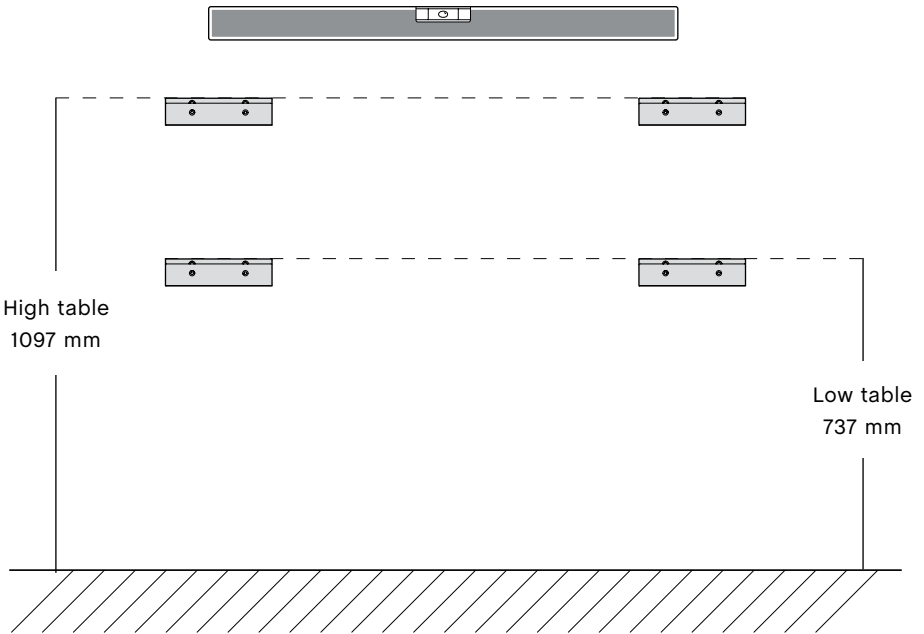
1.

Start by inserting the wall connectors **A** into the frame profile that is facing the wall.



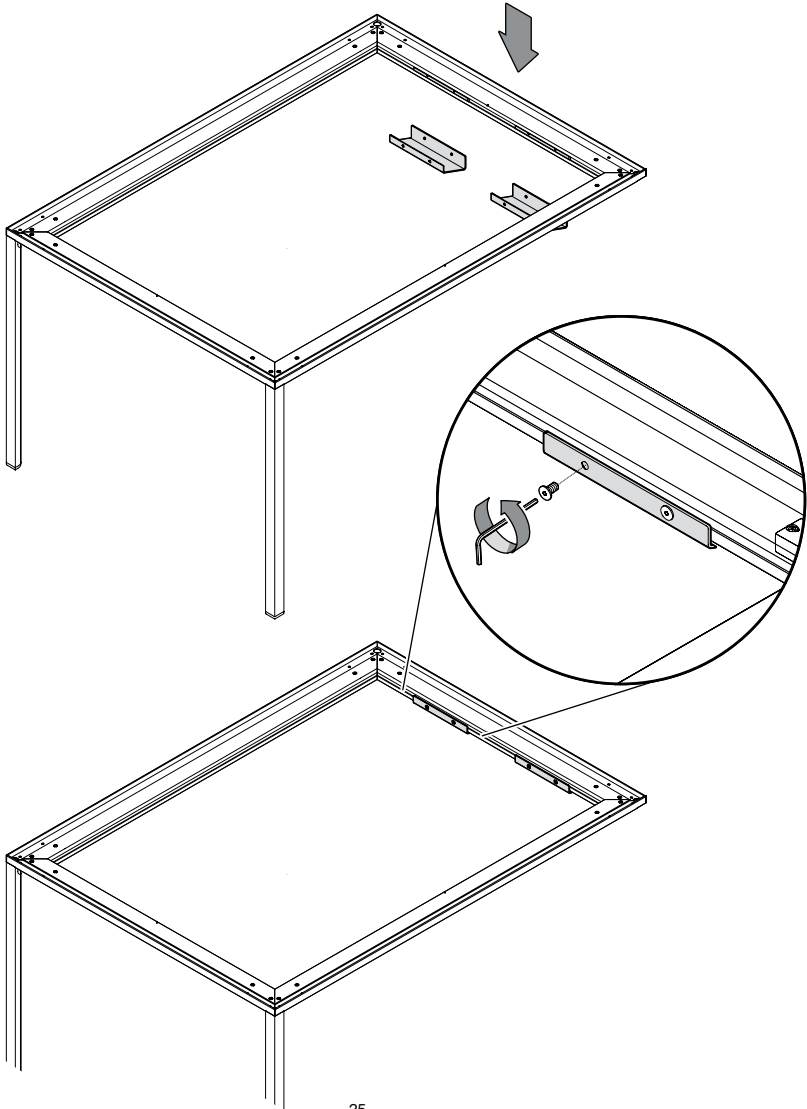
2.

Mark the placement for the wall connector **B** according to the height measurements below. Check that the holes are level and the connectors are fastened in a suitable and secure way before you start drilling (see page XX).

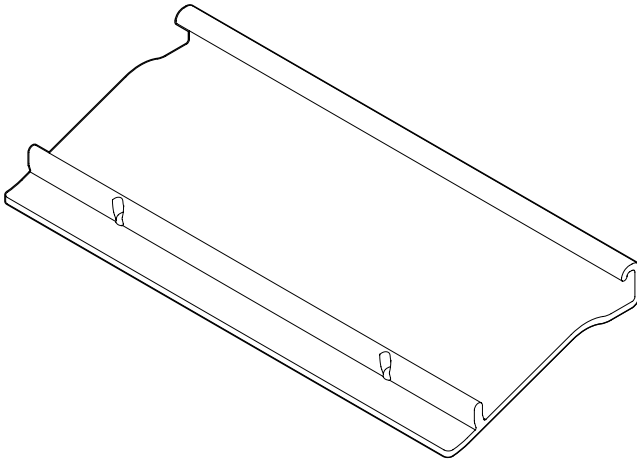


3.

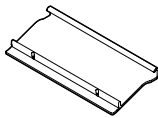
Mount the table from the top. Make sure that the connectors **A** are parallel to the wall connectors **B**. Screw the bracket into place using the 4 screws **C** and torx key. Finally mount the tabletop as described in the table instructions (page 16).



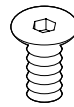
FRONT SHELF CONNECTOR



- PARTS -



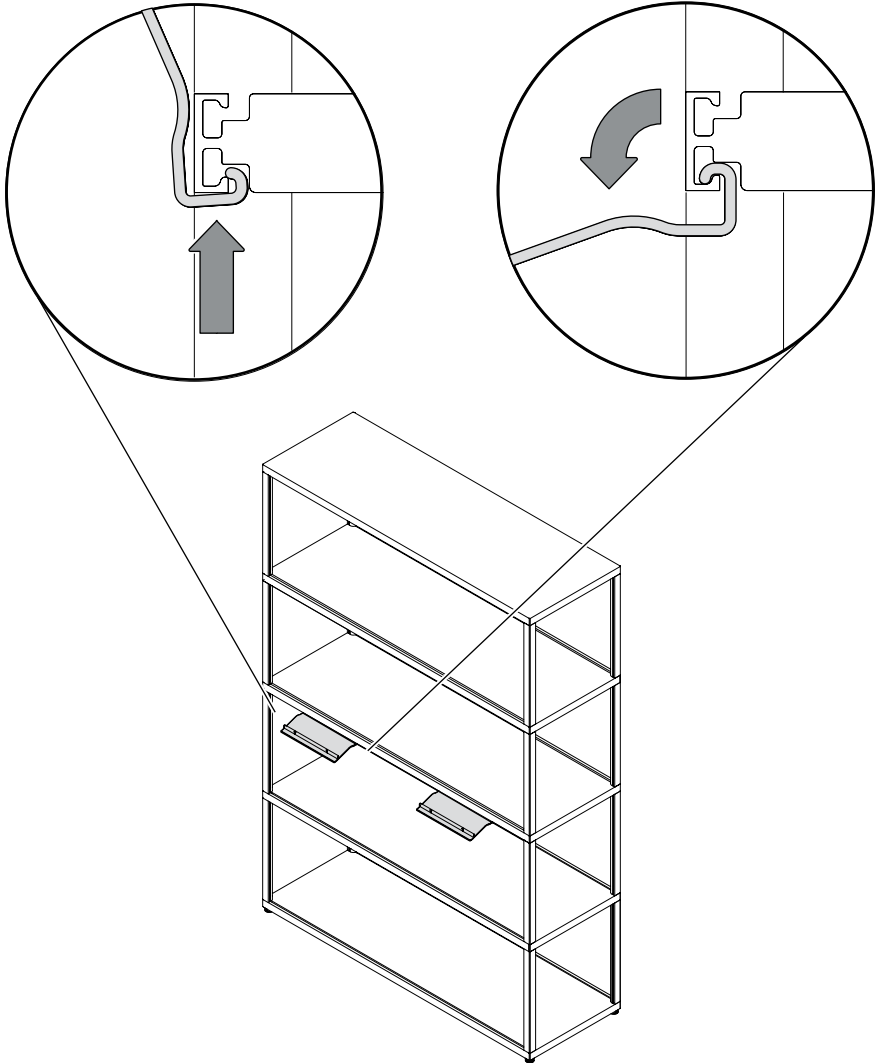
A Shelf connectors x2



C Screws x4

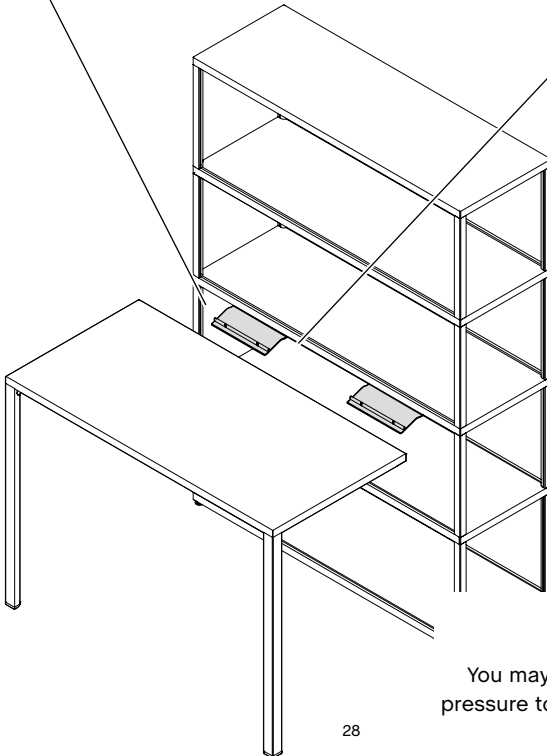
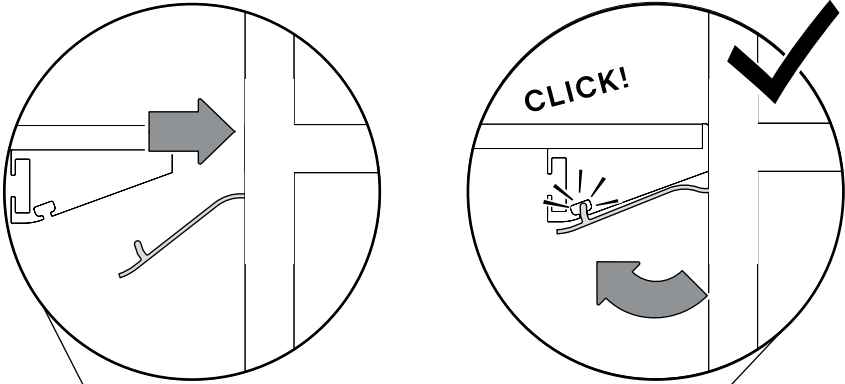
1.

Mount the shelf connectors **A** onto the groove on the bottom of the shelf.



2.

Connect the table from the front. Then connect the shelf connector **A** by angling it so that the profile locks into the groove at the bottom of the table frame, as illustrated below.

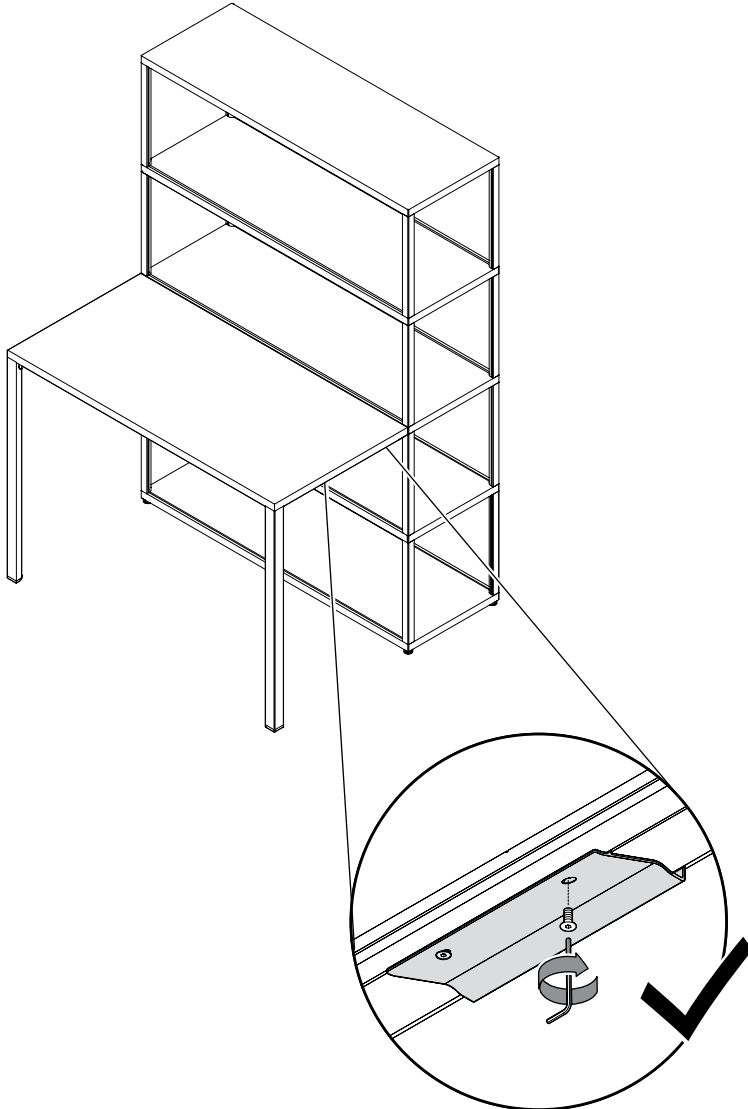


WHEN MOUNTING

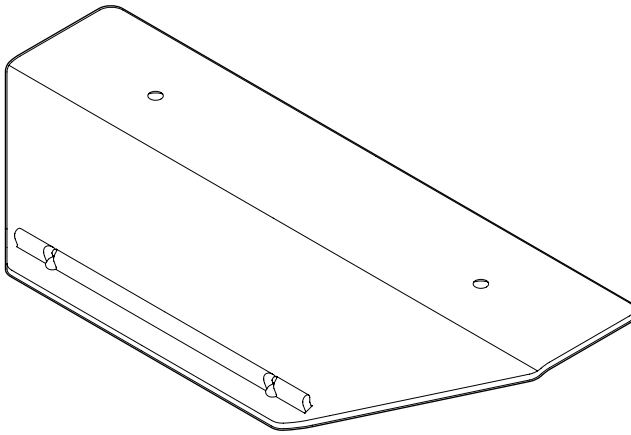
You may need to apply some extra pressure to lock the connector in place.

3.

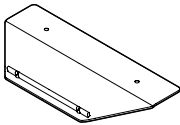
Finally, secure the connector from below with screws **B**.



END SHELF CONNECTOR



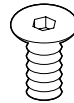
- PARTS -



A End shelf connector x1



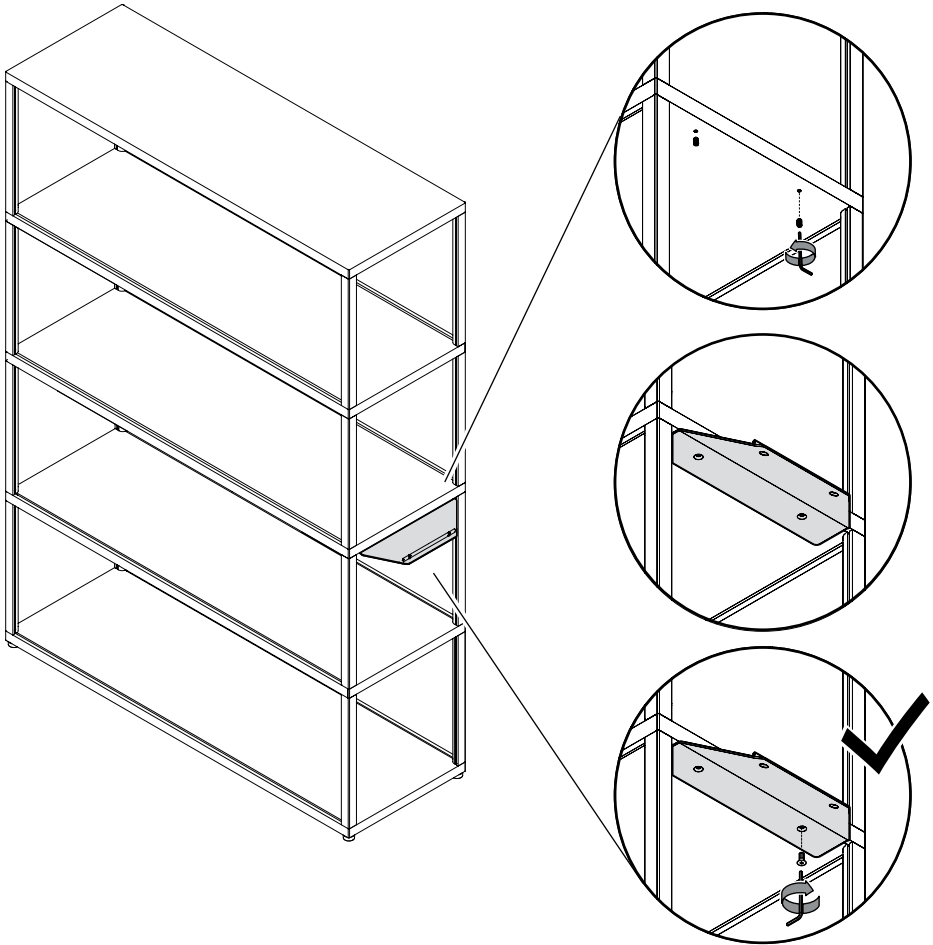
B Screws x2



C Screws x2

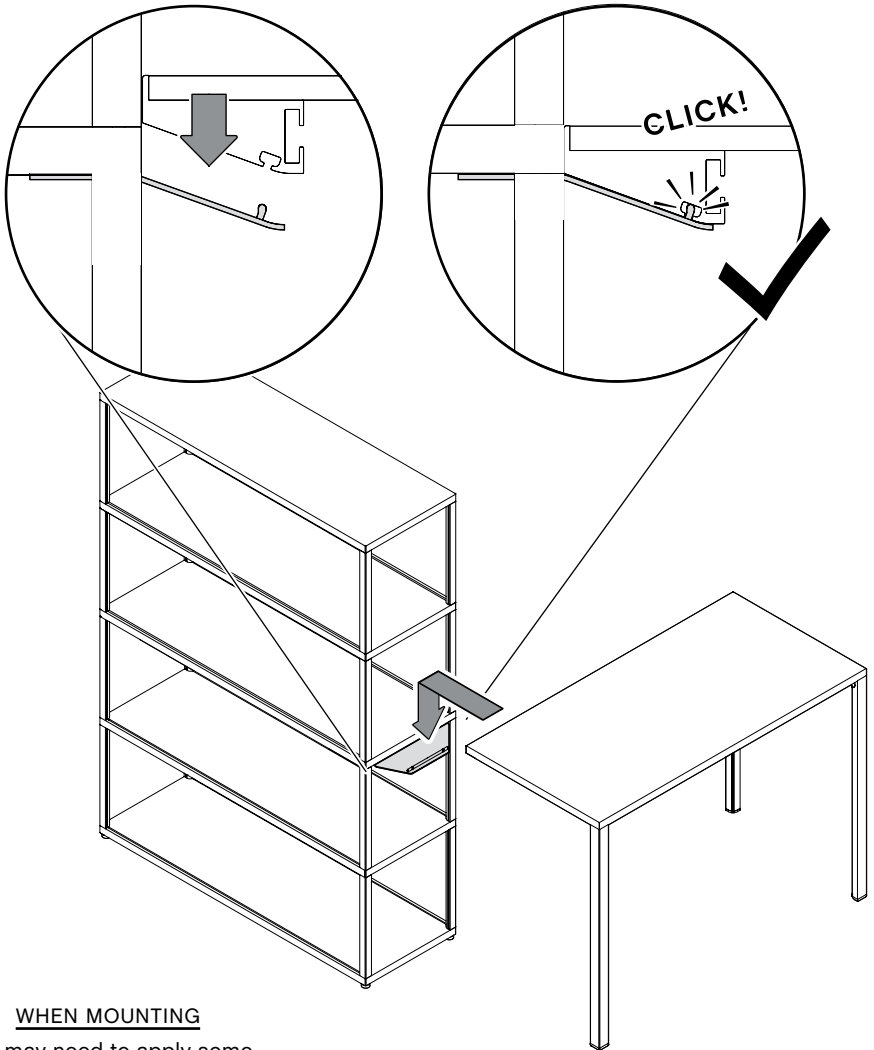
1.

Unscrew the 2 sets screws on the underside of the shelf to which the table is to be mounted. Then mount the end shelf connector **A** with screws **B**.



2.

Connect the table from the top and make sure that the profile on the end shelf connector **A** locks in the groove in the bottom of table frame as illustrated below.

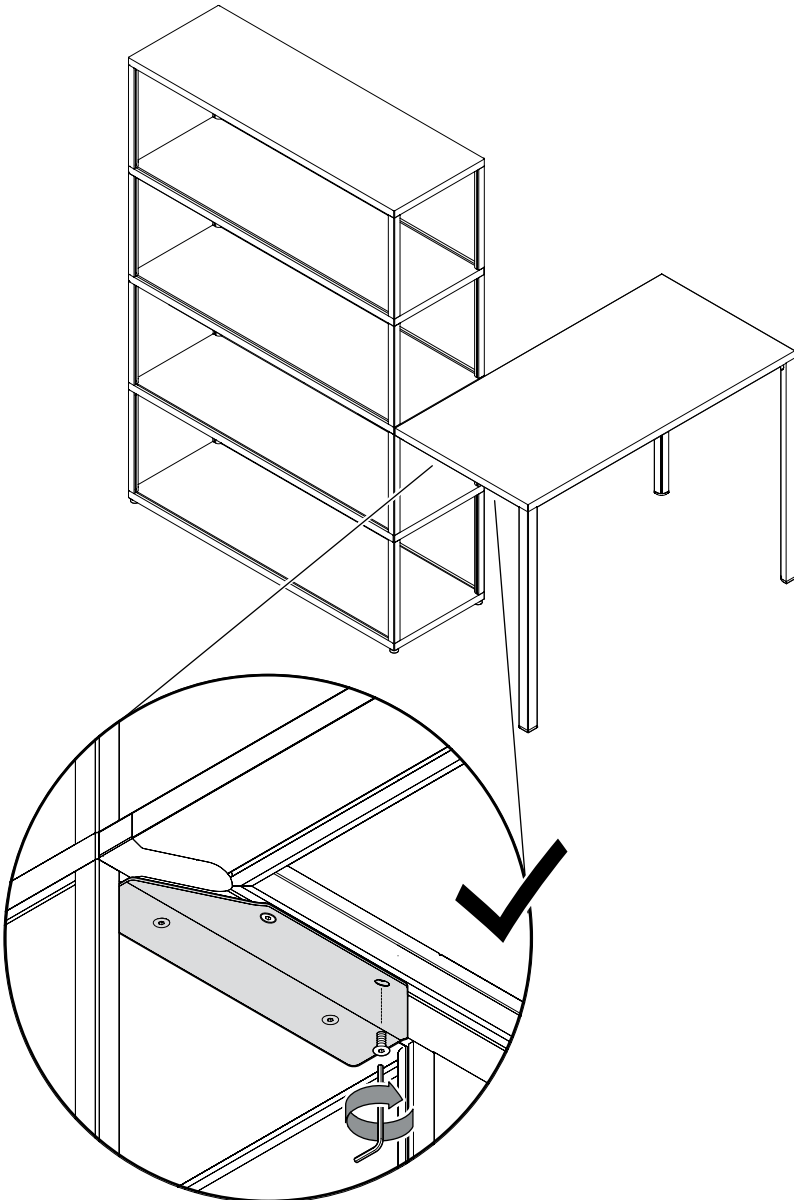


WHEN MOUNTING

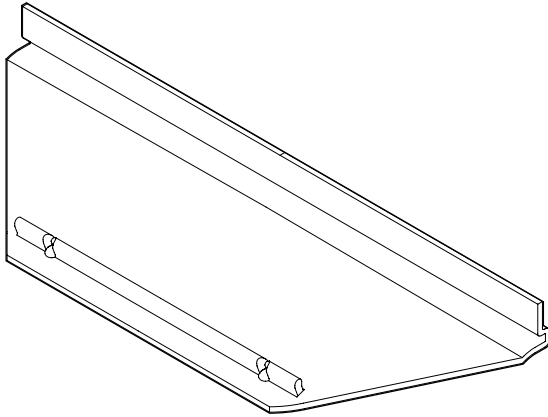
You may need to apply some extra pressure to lock the end shelf connector in place.

3.

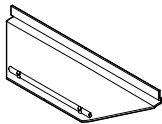
Finally, secure the end shelf connector from below with screws **C**.



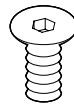
END TRAY CONNECTOR



- PARTS -



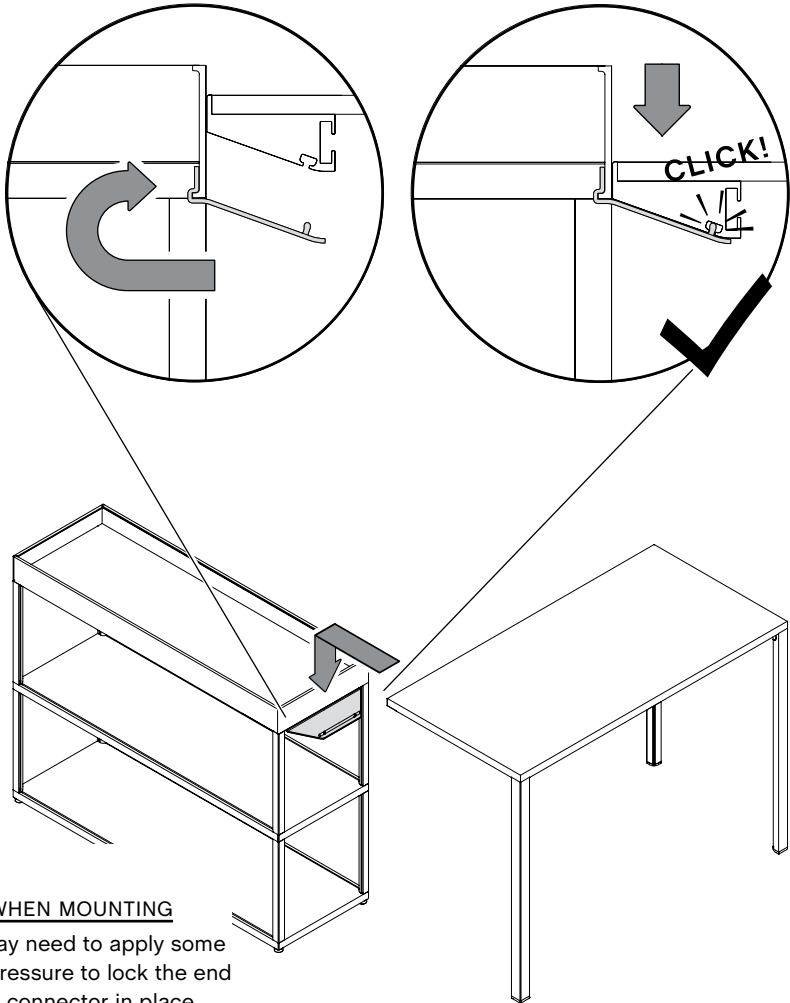
A End tray connector x1



C Screws x2

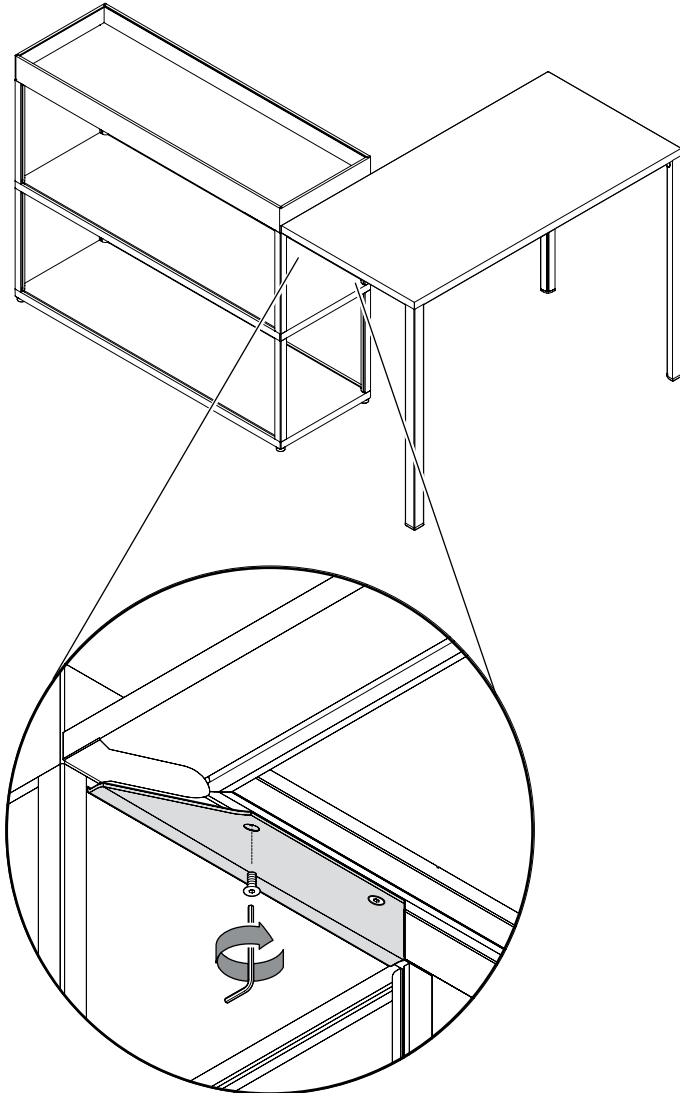
1.

Connect the table from the top and make sure that the profile on the end tray connector **A** locks into the groove in the bottom of the table frame, as illustrated below.



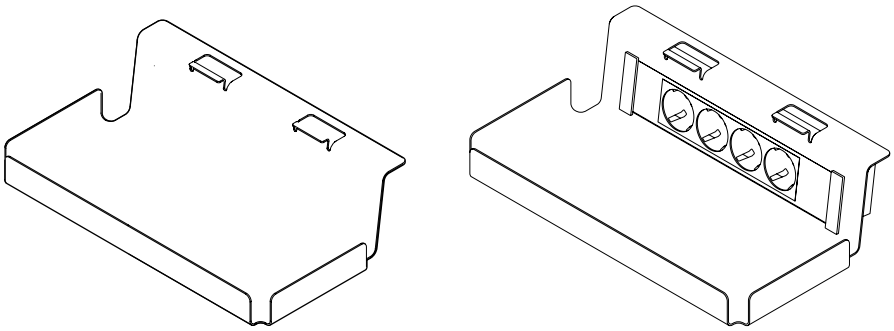
2.

Finally, secure the end tray connector **A** from below with screws **C**.

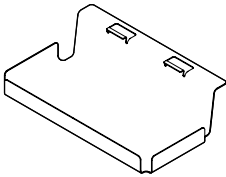


CABLE TRAY

WITH AND WITHOUT PLUG SOCKET



- PARTS -



A Tray



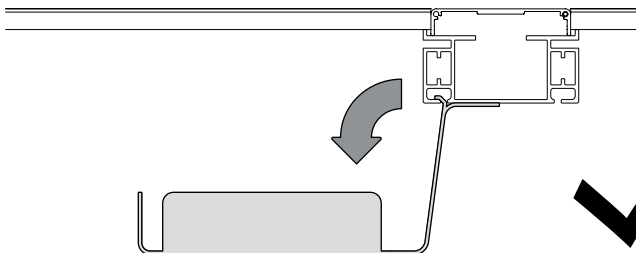
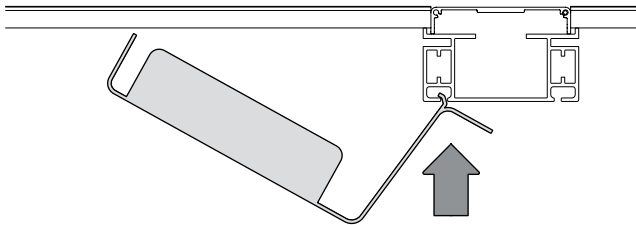
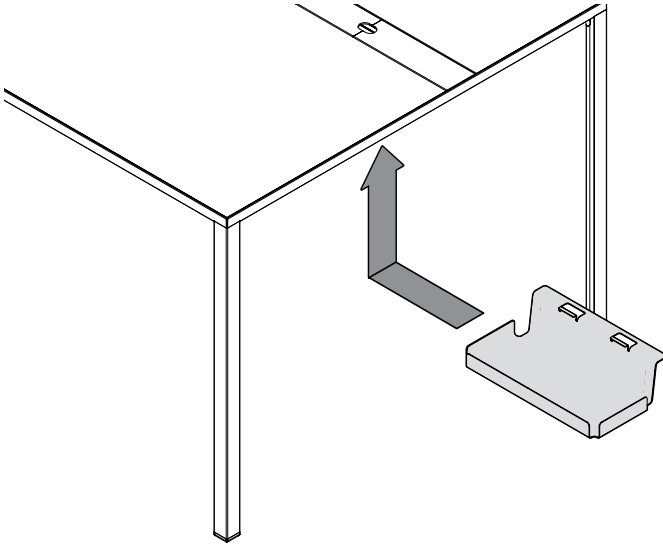
B Connector
(for plug socket)



C Screw x4
(for plug socket)

1.

Mount the tray **A** from the bottom by angling the tray and sliding the top profile into the groove on the table's support bar. Push the tray forward to lock into place.

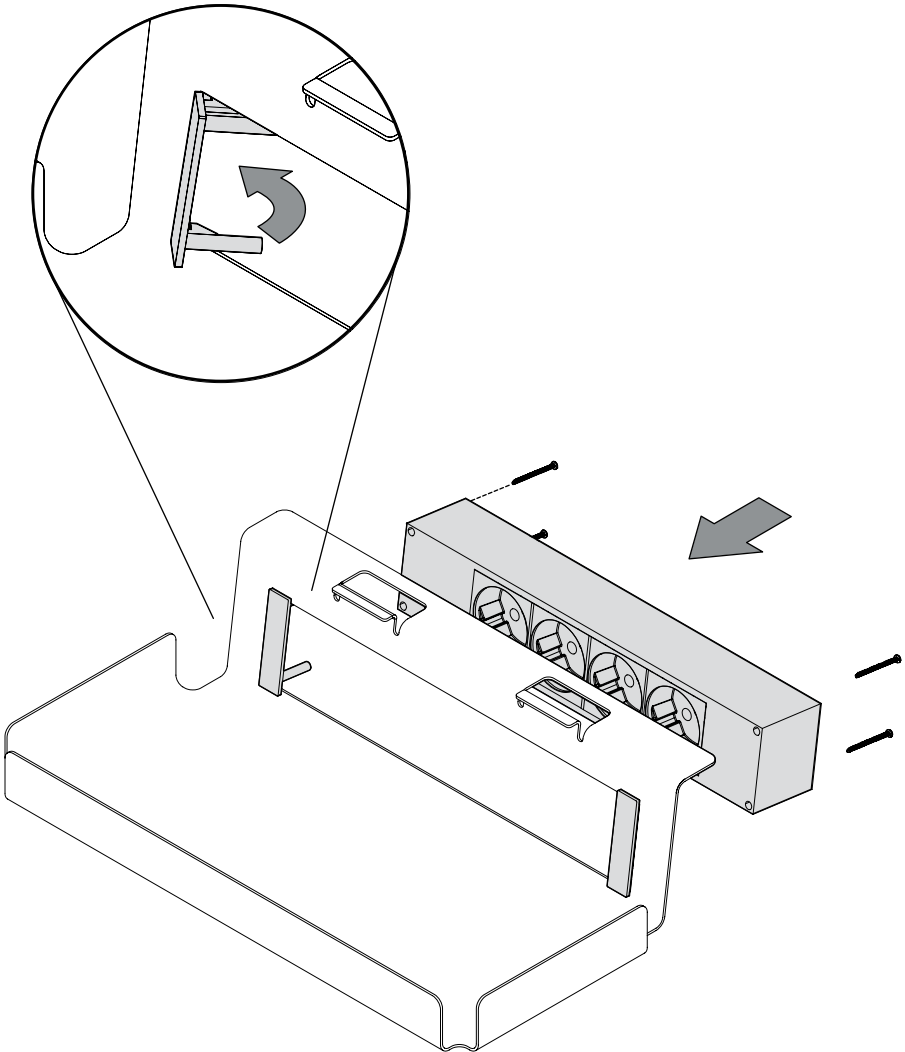


2.

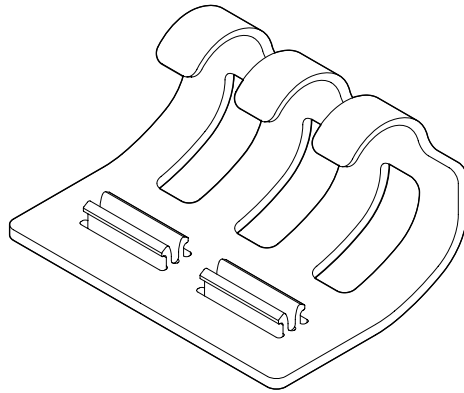
Mounting a STEP module (STEP trays only).

Mount the connectors **B** on each side, as illustrated below.

Finally, mount the STEP module and lock it into place with screws **C**.

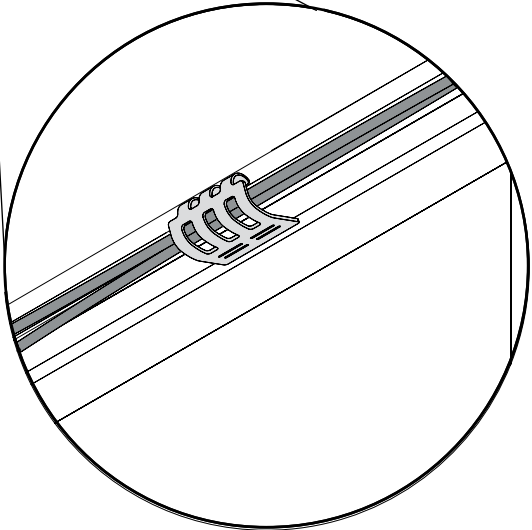
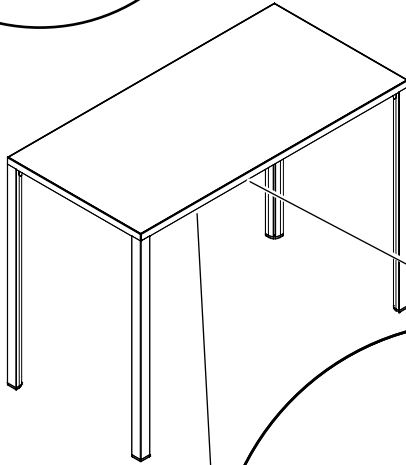
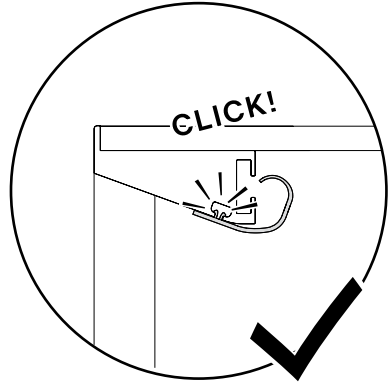
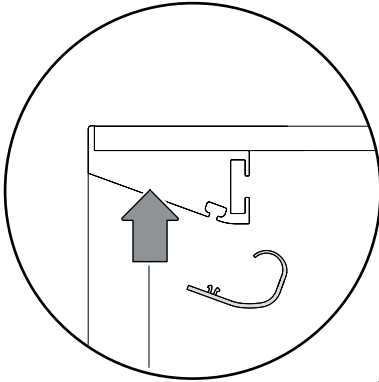


CABLE CLIP

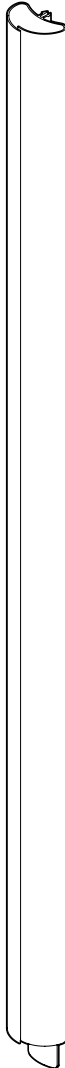


1.

Mount cable clips from below by clicking them into the groove on the table frame (or a support bar), as illustrated below.



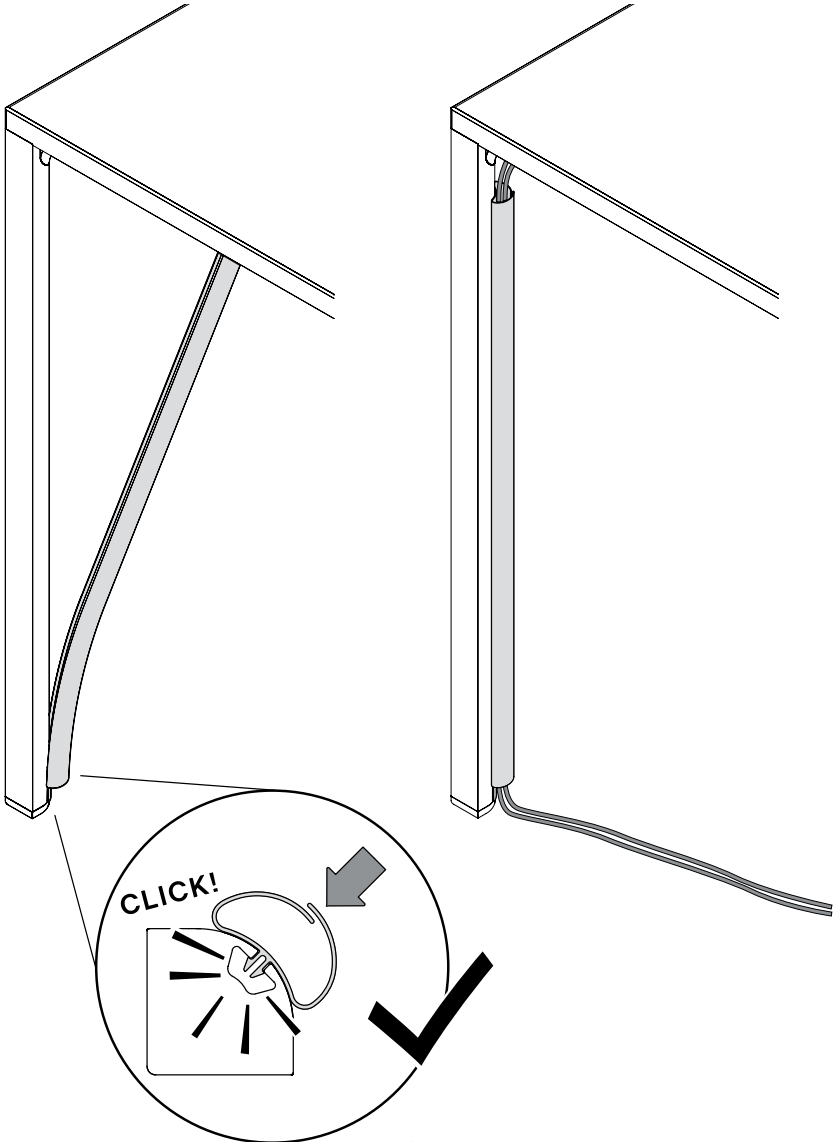
CABLE GUIDE



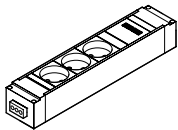
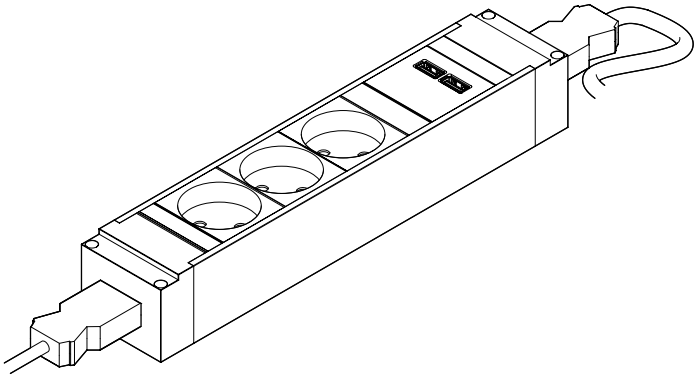
1.

Mount the cable guide by pressing it into the groove on the inside of the table leg, starting from the bottom. Insert the cables through the slits.

To remove the guide, pull it out starting from the bottom flap.



PLUG SOCKET



A Plug socket



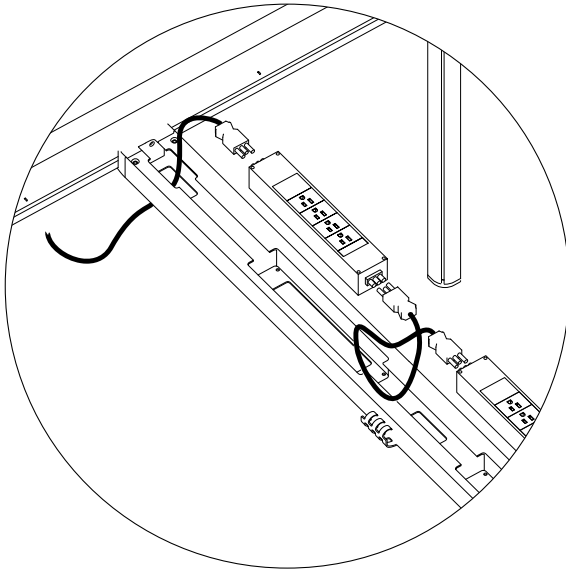
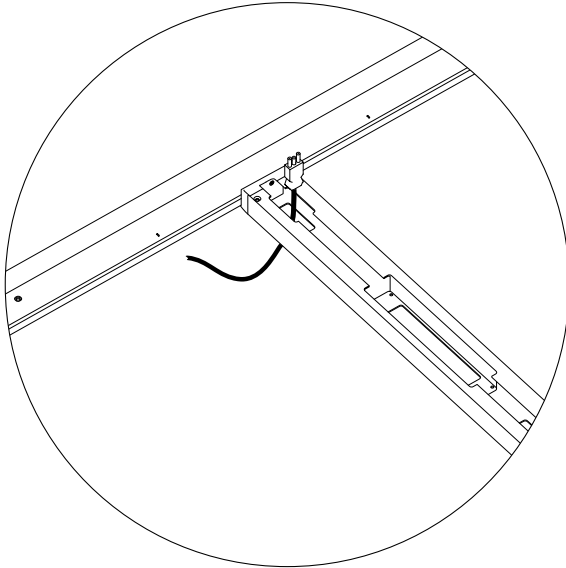
B Power cables



C Screws x4
(per plug socket)

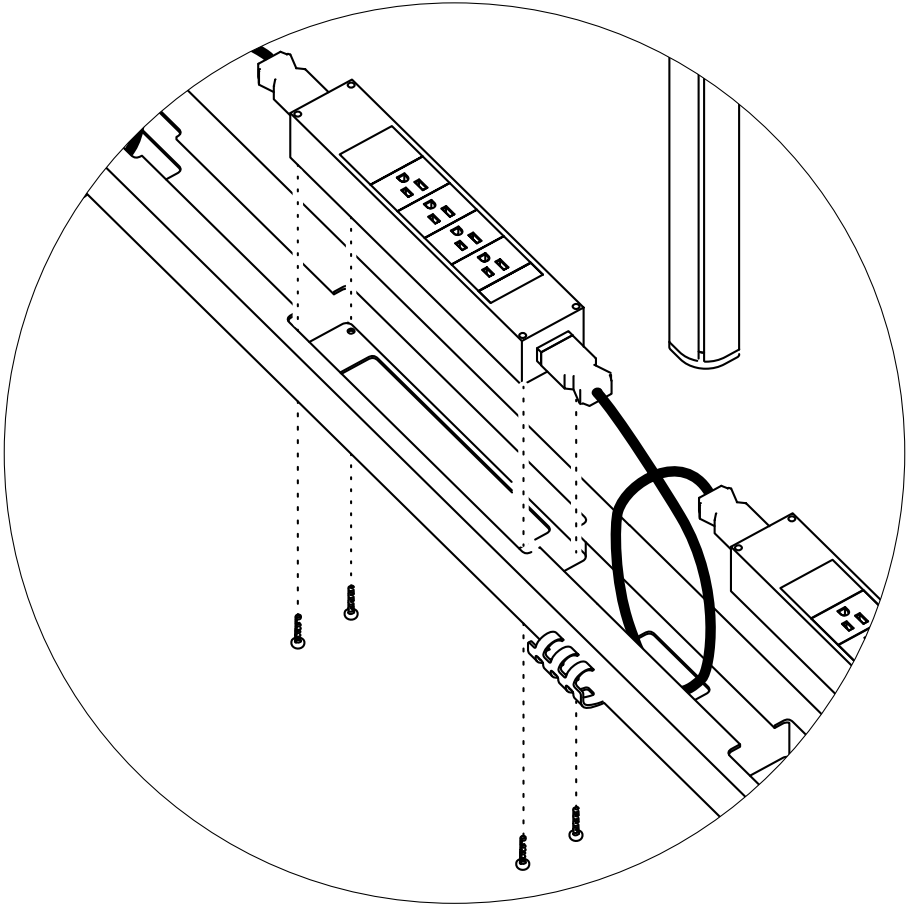
1.

Start by pulling the cables through the holes and then connect them to the sockets.



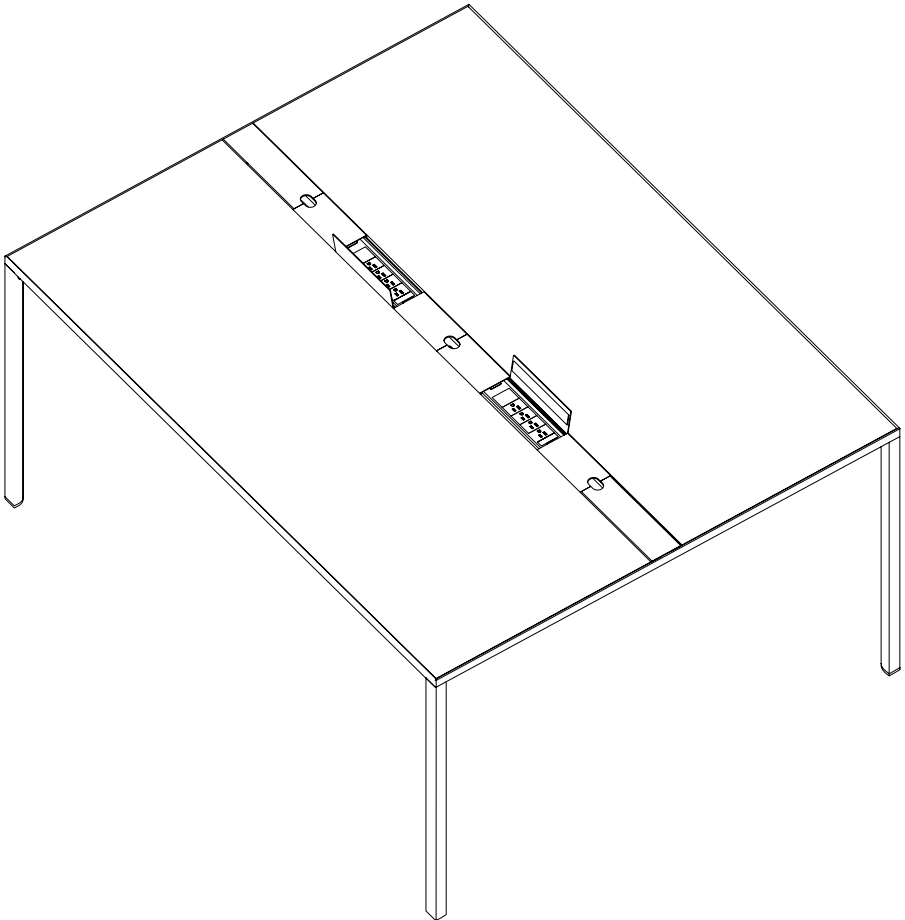
2.

Fasten the sockets with the four screws from the bottom.

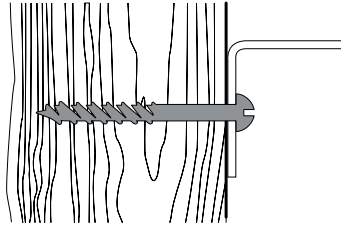


3.

Place the covers.

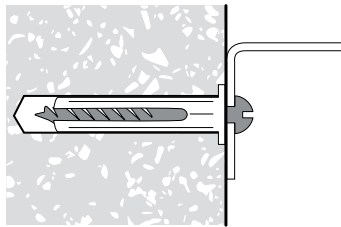


WALL MOUNTING



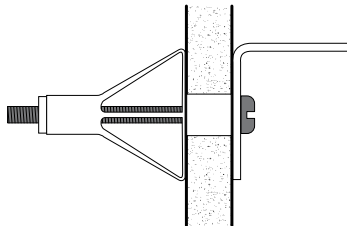
WOODEN WALLS

Use suitable wood screws.



CONCRETE OR BRICK WALLS

Use suitable screws and expansion plugs.



DRYWALL OR CHIPBOARD

Use suitable expanding bolts.

PLEASE NOTE

These are only intended as guidelines. The buyer is responsible for the wall's bearing capacity and for ensuring the correct mounting method is used.

Our Care & Maintenance offers guidance for optimal maintenance of your HAY product. It includes advice and instructions on cleaning and caring for specific materials to prolong the life of your furniture.



Please find our Care & Maintenance guide by scanning the QR code



You can find more relevant information on New Order Table by scanning the QR code

You can also find the same information here
hay.dk/downloads

Havnen 1 8700 Horsens Denmark
+45 3164 6000 / hay@hay.com

10/01/2023

HAY

ITEM NO. 850014

