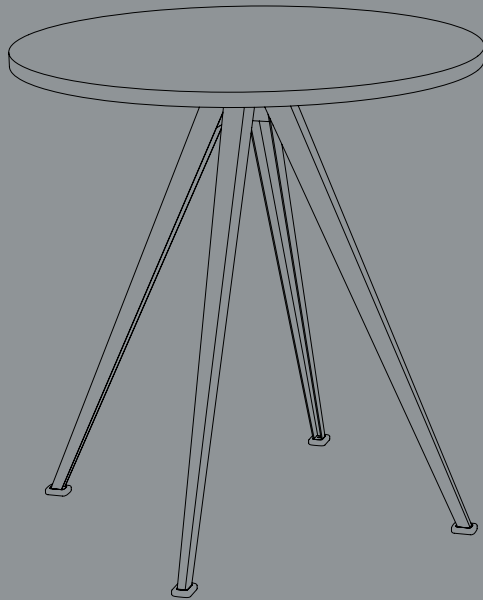


- INSTRUCTION MANUAL -

# PYRAMID CAFÉ TABLE 21 & 51

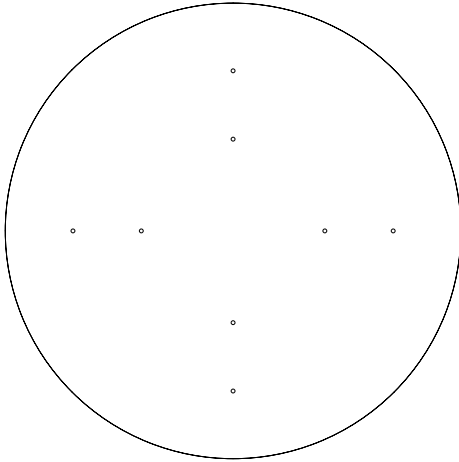


DESIGN BY WIM RIETVELD

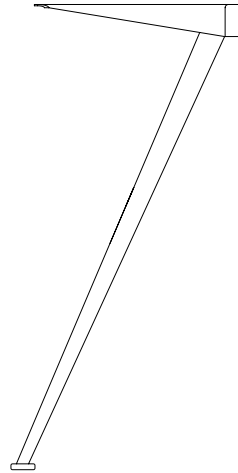
**HAY**



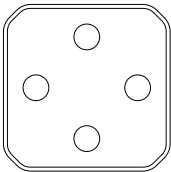
- PARTS -



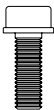
**A** Tabletop x1



**B** Leg x4



**C** Bracket x1



**D** Screw x4

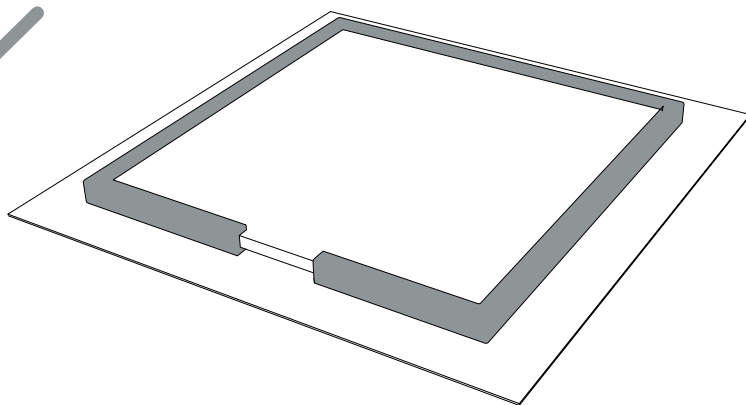
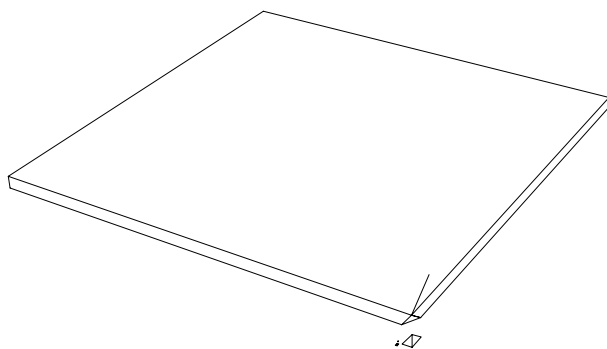


**E** Screw x8



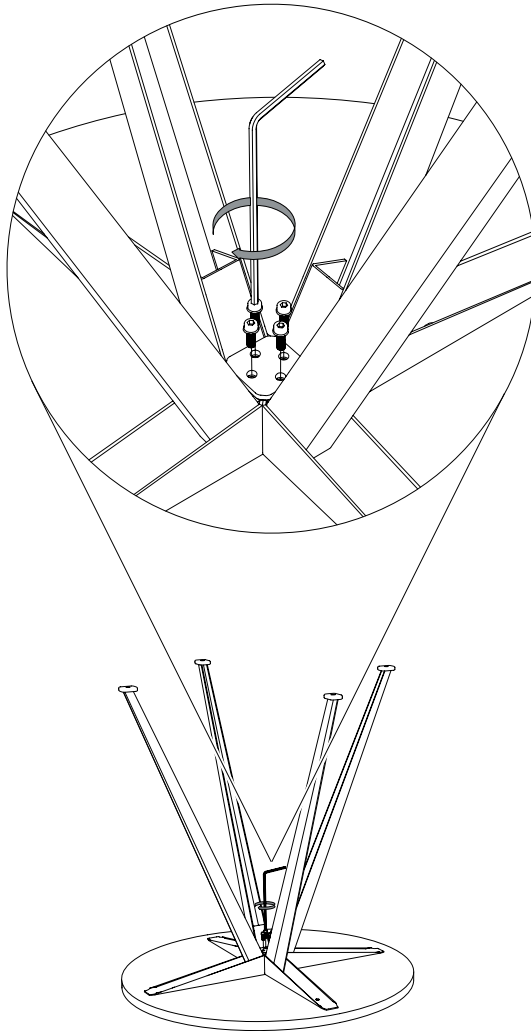
**F** Allen key x1

Protect the tabletop from scratches and other damage while assembling.



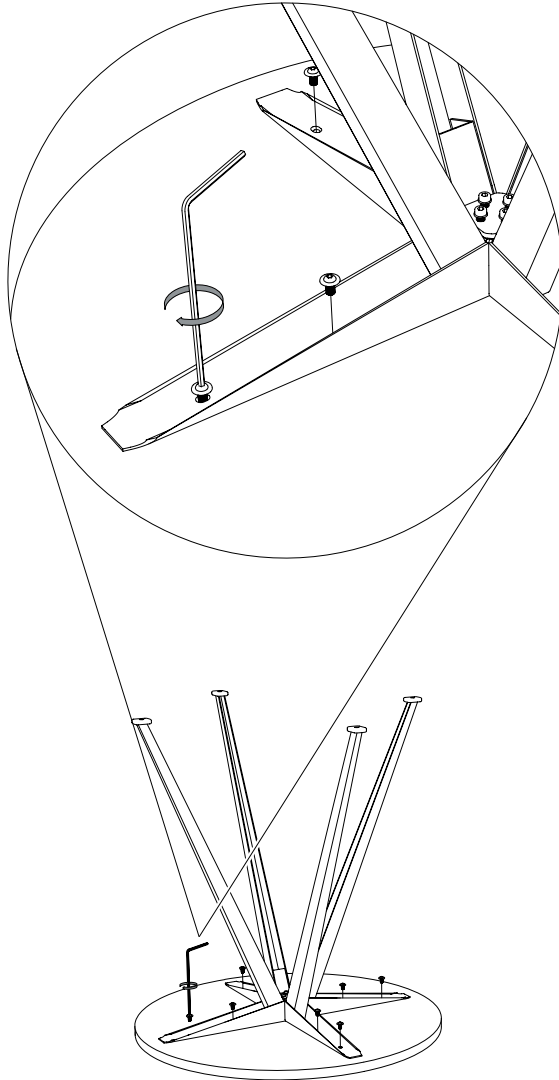
1.

Place the **B** parts and align them with the holes in the tabletop. Place part **C** on top of the **B** parts and align the holes. Insert the **D** parts and slightly tighten part **C** to the **B** parts.



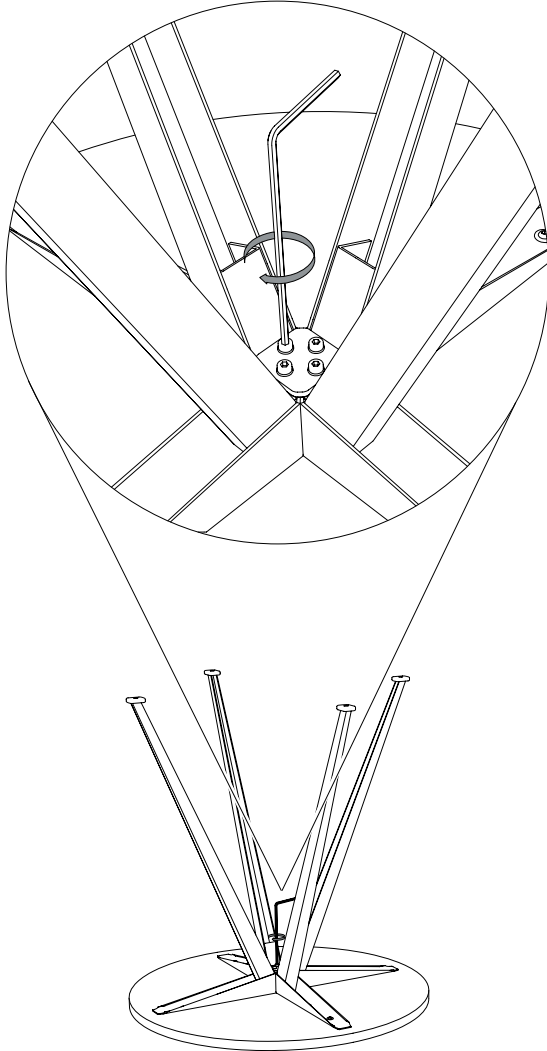
2.

Align the **B** parts with the holes in the tabletop. Place the **E** parts in the holes.  
Tighten the **E** parts while firmly pushing the **B** parts towards the center.



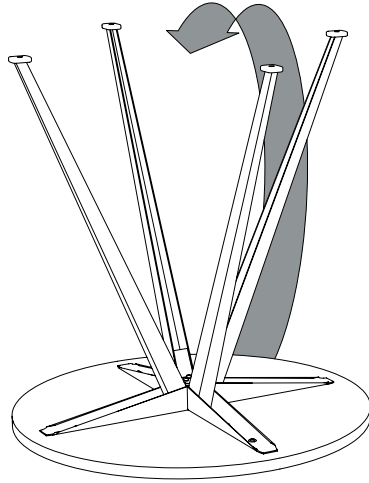
3.

Tighten the **D** parts completely.



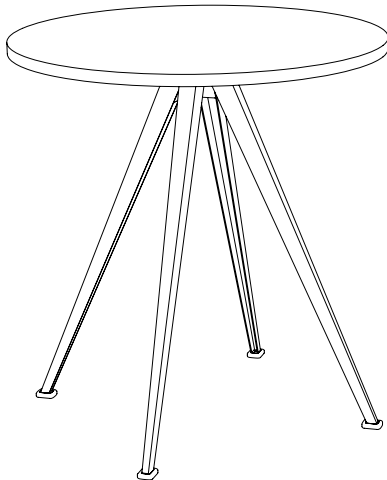
4.

Turn the table over.



5.

Done!





- CARE & MAINTENANCE -

Our Care & Maintenance offers guidance for optimal maintenance of your HAY product. It includes advice and instructions on cleaning and caring for specific materials to prolong the life of your furniture.

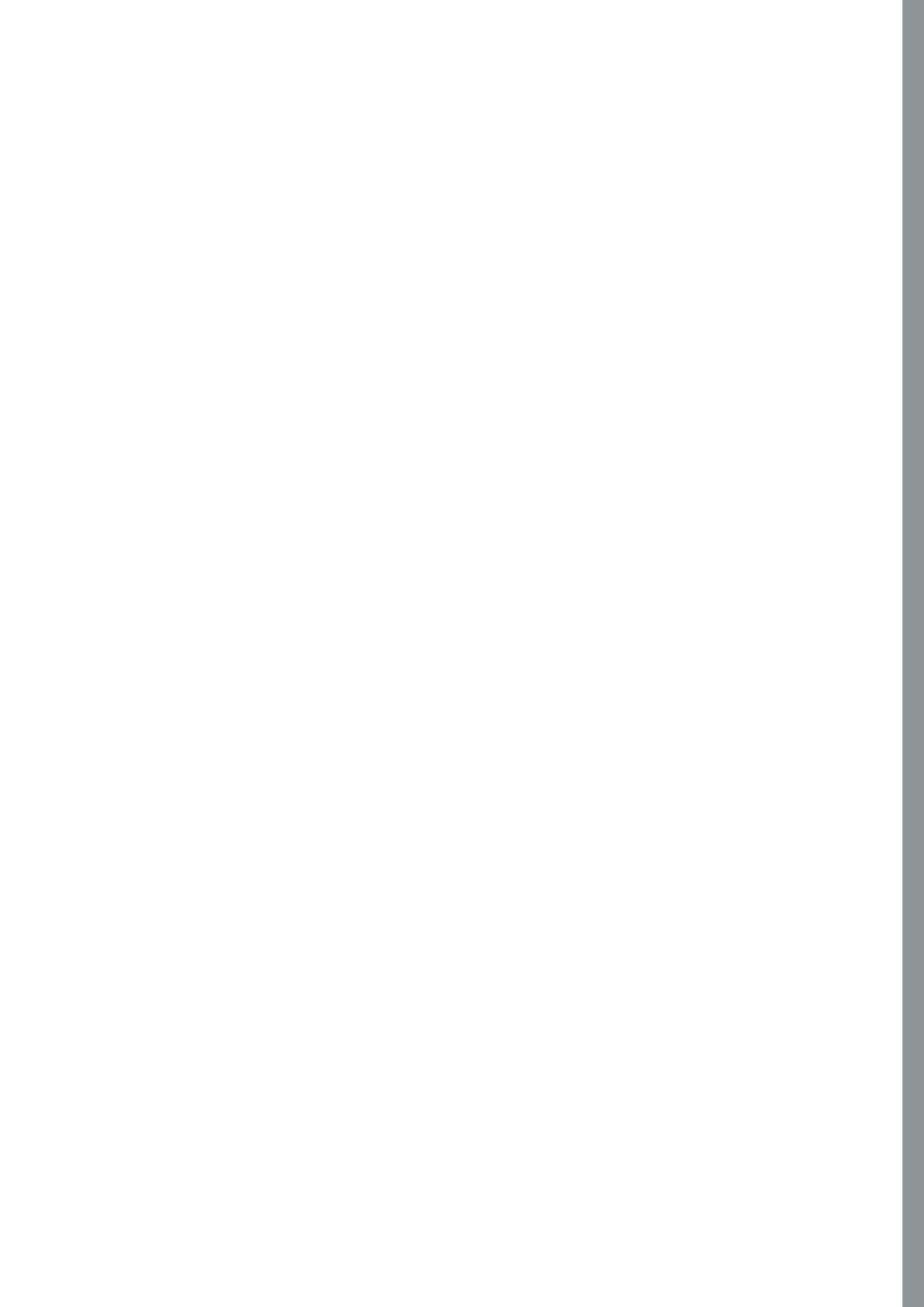


Please find our Care & Maintenance guide by scanning the QR code



You can find more relevant information on Pyramid Café Table 21 & 51 by scanning the QR code

You can also find the same information here  
[hay.dk/downloads](http://hay.dk/downloads)





Havnen 1 8700 Horsens Denmark  
+45 4282 0282 / hay@hay.com

14/10/2021

**HAY**